



Spare Parts Catalog

VG 2700/400

KAMAZ PUBLIC JOINT STOCK COMPANY

Material number: 5851.001.009



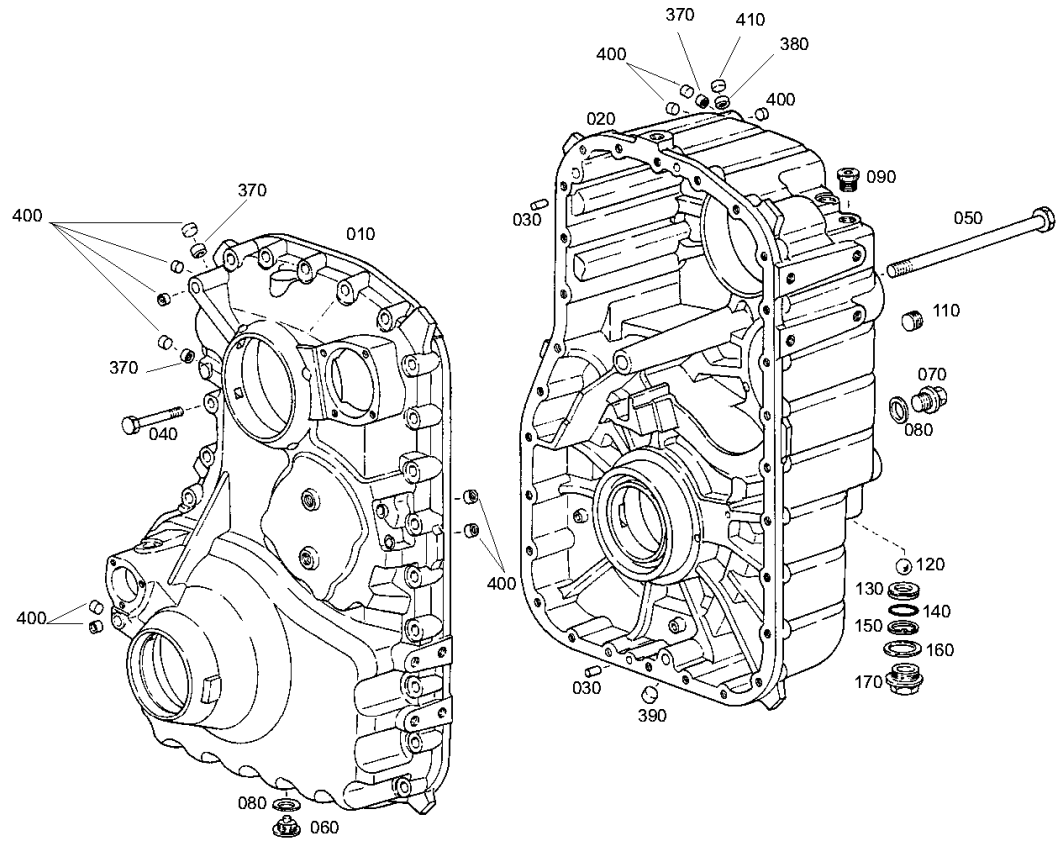
Pos.	Information	Amendment number
-------------	--------------------	-------------------------

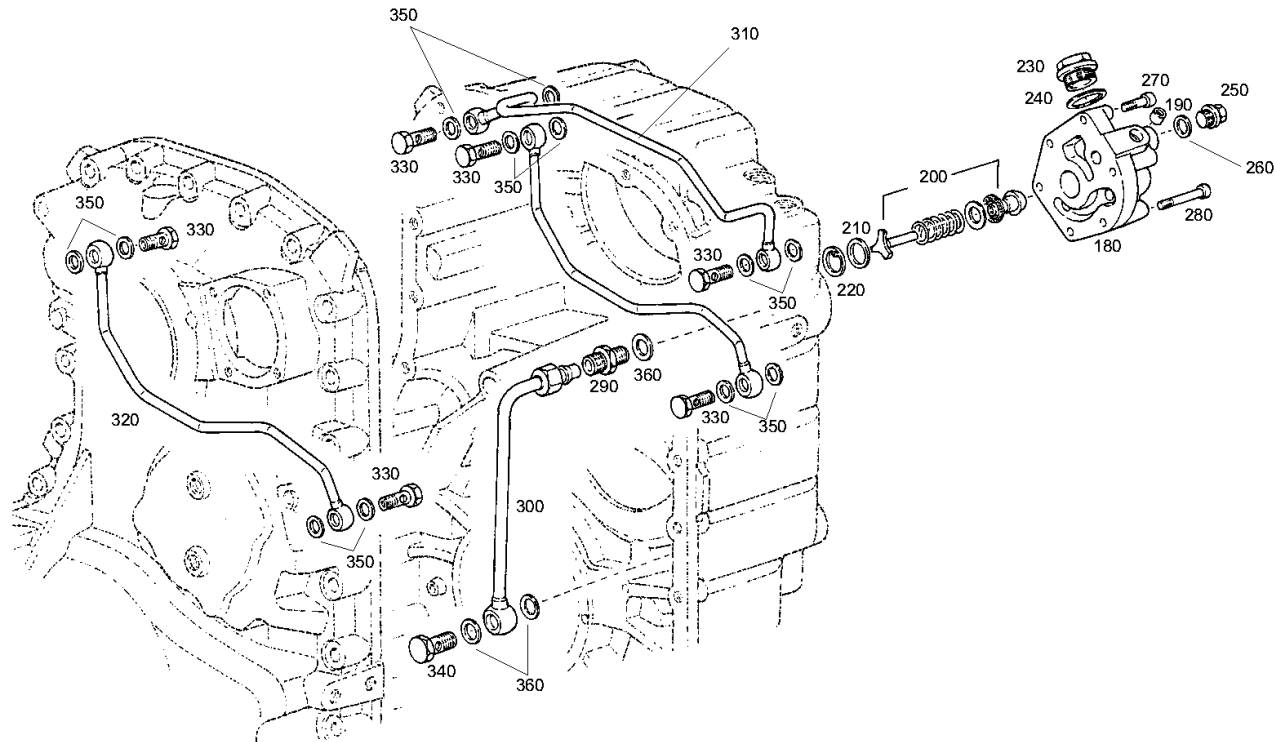


Graphics	Pos.	Material number	Name	VKF	Amend. no.	Amend. start	Prod. no.	Material feature / tech. info.	ID
585110300101	10	5851.103.001	HOUSING	1		00.00.0000		1S71312100101 1S71312100101	5
585110400100	20	5851.104.001	INPUT	1		00.00.0000		1S71312200102 1S71312200102	5
585110501300	30	5851.105.013	INTERMEDIATE SHAFT	1	K00983/0810	00.00.0000			5
585110600100	40	5851.106.001	OUTPUT	1	K00983/0810	00.00.0000		1S71312200302 1S71312200302	5
585111000100	50	5851.110.001	FLANGE	1		00.00.0000		1S71312200401 1S71312200401	5
585111201000	60	5851.112.010	GEAR SHIFT SYSTEM	1	K00983/0810	00.00.0000		VG2700/PS/3ST/ANZ.G/BAJONETT	5
584813900200	120	5848.139.002	TYPE PLATE	1		00.00.0000		1S71252100204	5

VKF Incidence factor

ID Identification (output code)







Pos.	Material number	Name	VKF	Amend. no.	Amend. start	Prod. no.	Material feature / tech. info.	OTK	External material no.	ID	Weight	SP
10	5840.302.887	DISTRIBUTOR HOUSING	1		00.00.0000		172700210027 HI. STEYR			5	84,600	
20	5840.302.886	DISTRIBUTOR HOUSING	1		00.00.0000		172700210019 VO. STEYR			5	116	
30	5840.333.205	CYLPIN	2		00.00.0000		12M6X20 / 190003901604 FA.STEYR ST			5	0,019	
40	5841.300.756	HEXAGON BOLT	28		00.00.0000		190003800756 FA.STEYR			5	0,113	
50	5840.303.046	ANCHOR BOLT	1		00.00.0000		172700210028 STEYR			5	0,760	
60	5838.300.283	SCREW PLUG	1		00.00.0000		190003960008 FA.STEYR			5	0,040	
70	0636.305.061	SCREW PLUG	1		00.00.0000		M22X1,5			5	0,030	
80	0634.801.074	SEALING RING	2		00.00.0000		22X27			5	2,100	
90	0636.301.055	SCREW PLUG	1		00.00.0000		M22X1,5			5	20	
110	0636.301.055	SCREW PLUG	1		00.00.0000		M22X1,5			5	20	
120	5840.302.784	BALL	2		00.00.0000		190003330017 STEYR			5	33	
130	5840.302.785	WASHER	2		00.00.0000		172700750001 STEYR			5	27	
140	5840.333.295	O-RING	2	K02023/ 0610	00.00.0000	00.00.0000	11419518/31X1,5 FA. STEYR HNBR-7011419518/ 31X1,5 FA.STEYR			5	0,001	
150	0630.502.017	RETAINING RING	2		00.00.0000		34X1,5			5	0,003	
160	0634.801.250	SEALING RING	2		00.00.0000		38X44			5	5,200	
170	0636.305.074	SCREW PLUG	2		00.00.0000		M38X1,5			5	115	
180	5840.302.978	VALVE BLOCK	1		00.00.0000		173500210063 STEYR			5	3,250	
190	5840.333.131	KERNL VERSCHLUSS	1		00.00.0000		17/8 190003989480 FA. STEYR ST-A3C			5	0,010	
200	5840.302.980	BY-PASS VALVE	1		00.00.0000		173500750004 STEYR			5	0,034	
210	5840.302.981	SPACER RING	1		00.00.0000		173500750015 STEYR			5	1	
220	5838.300.807	RETAINING RING	1		00.00.0000		190003930318 27X1,2			5	1	
230	0636.305.002	SCREW PLUG	1		00.00.0000		M30X1,5			5	0,080	
240	0634.801.098	SEALING RING	1		00.00.0000		30X36			5	4,200	
250	0636.305.061	SCREW PLUG	2		00.00.0000		M22X1,5			5	0,030	
260	0634.801.074	SEALING RING	2		00.00.0000		22X27			5	2,100	
270	0636.101.727	CAP SCREW	3		00.00.0000		M8X40			5	0,019	
280	0636.101.720	CAP SCREW	3		00.00.0000		M8X70			5	0,030	
290	0637.842.535	SOCKET	1		00.00.0000					5	0,052	

VKF Incidence factor

OTK Optional technical kit

ID Identification (output code)

SP Supplier plant



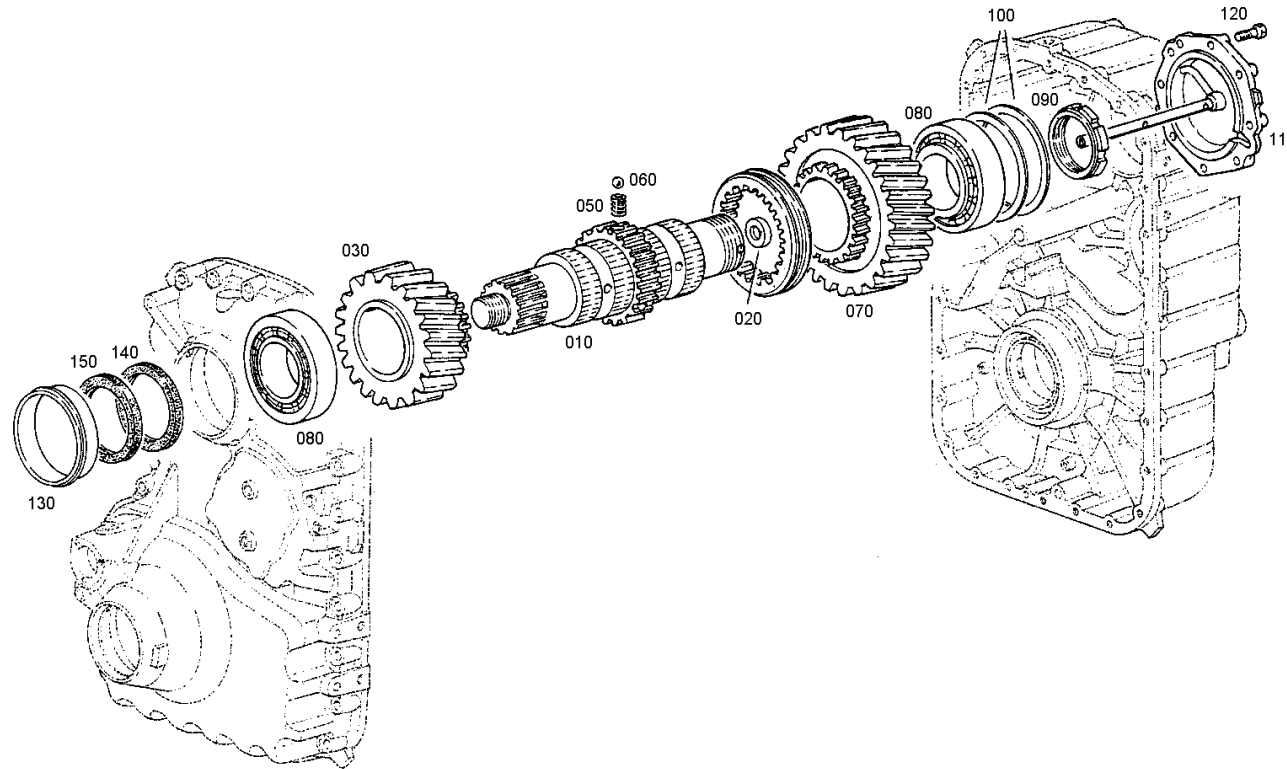
Pos.	Material number	Name	VKF	Amend. no.	Amend. start	Prod. no.	Material feature / tech. info.	OTK	External material no.	ID	Weight	SP
300	5840.302.975	PRESSURE LINE	1		00.00.0000		172700750010 STEYR			5	0,202	
310	5840.302.973	PRESSURE LINE	1		00.00.0000		172700750004 STEYR			5	0,212	
320	5840.302.974	PRESSURE LINE	2		00.00.0000		172700750006 STEYR			5	0,212	
330	5840.333.223	UNION SCREW	6		00.00.0000		12-3 / 190003962627 FA. STEYR			5	0,040	
340	0637.835.005	UNION SCREW	1		00.00.0000					5	45	
350	0634.801.045	SEALING RING	12		00.00.0000		16X20			5	0,010	
360	0634.801.057	SEALING RING	3		00.00.0000		18X22			5	0,002	
370	5840.302.976	OIL DAM	3		00.00.0000		173500210037 STEYR			5	0,003	
380	5840.302.977	OIL DAM	1		00.00.0000		173500210038 STEYR			5	5	
390	5840.333.288	PIPE UNION	1		00.00.0000		20/8 / 190003989201 FA. STEYR ST-A3C20/8 / 190003989201 ST-A			5	0,009	
400	5840.333.132	PLUG	12		00.00.0000		12/8 / 190003989481 FA. STEYR ST-A3C			5	0,010	
410	5840.333.128	KERNL VERSCHLUSS	1		00.00.0000		14/10 / 190003989279 FA. STEYR ST-A3C			5	0,010	

VKF Incidence factor

OTK Optional technical kit

ID Identification (output code)

SP Supplier plant



Parts list
Page 1 from 1

Material number: 5851.001.009 VG 2700/400 / KAMAZ PUBLIC JOINT STOCK COMPANY
Plant: 585110400100
Material-assembly-group-no: 5851.104.001



Pos.	Material number	Name	VKF	Amend. no.	Amend. start	Prod. no.	Material feature / tech. info.	OTK	External material no.	ID	Weight	SP
10	5840.303.221	INPUT SHAFT	1		00.00.0000		172700220069 STEYR			5	26	
20	5841.300.558	OIL DAM	1		00.00.0000		199118250237 FA.STEYR			5	0,010	
30	5840.302.901	INPUT GEAR	1		00.00.0000		172700220056 STEYR			5	13,760	
40	5840.302.962	GEAR SHIFT SLEEVE	1		00.00.0000		172700220059 STEYR			5	3,040	
50	5841.300.006	SPRING	3		00.00.0000		11800 240023 FA.STEYR			5	0,010	
60	0635.460.021	BALL	3		00.00.0000		10			5	0,010	
70	5840.302.963	INPUT GEAR	1		00.00.0000		172700220061 Z=33 STEYR			5	21,590	
80	5840.302.898	TAROLLBEARING	2		00.00.0000		172700220022 STEYR 172700220022 STEYR			5	5,300	
90	5840.302.620	SLOTTED NUT	1		00.00.0000		172700220013 FA.STEYR			5	0,472	
100	---	SHIM	1		00.00.0000		ZCHNG.172700220030			5	0,000	
---	5840.302.938	SHIM	1		00.00.0000		172700220030 STEYR			5	0,044	
---	5840.302.939	SHIM	1		00.00.0000		172700220031 STEYR			5	0,046	
---	5840.302.940	SHIM	1		00.00.0000		172700220032 STEYR			5	0,050	
---	5840.302.941	SHIM	1		00.00.0000		172700220033 STEYR			5	0,100	
---	5840.302.942	SHIM	1		00.00.0000		172700220034 STEYR			5	0,056	
---	5840.302.943	SHIM	1		00.00.0000		172700220035 STEYR			5	0,000	
---	5840.302.944	SHIM	1		00.00.0000		172700220036 STEYR			5	0,060	
---	5840.302.945	SHIM	1		00.00.0000		172700220037 STEYR			5	0,060	
110	5840.302.882	END COVER	1		00.00.0000		172700210001 STEYR			5	4,350	
120	0636.011.294	HEXAGON BOLT	8		00.00.0000		M12X40			5	46	
130	5840.302.626	POT	1		00.00.0000		172700210007 STEYR			5	0,723	
140	5840.302.304	SHAFT SEAL	1		00.00.0000		190003070183 FA.STEYR A110X130X12 FDP-----			5	0,098	
150	5840.302.305	SHAFT SEAL	1		00.00.0000		190003070184 FA.STEYR ASL 110X130X13 NBR			5	0,078	

VKF Incidence factor

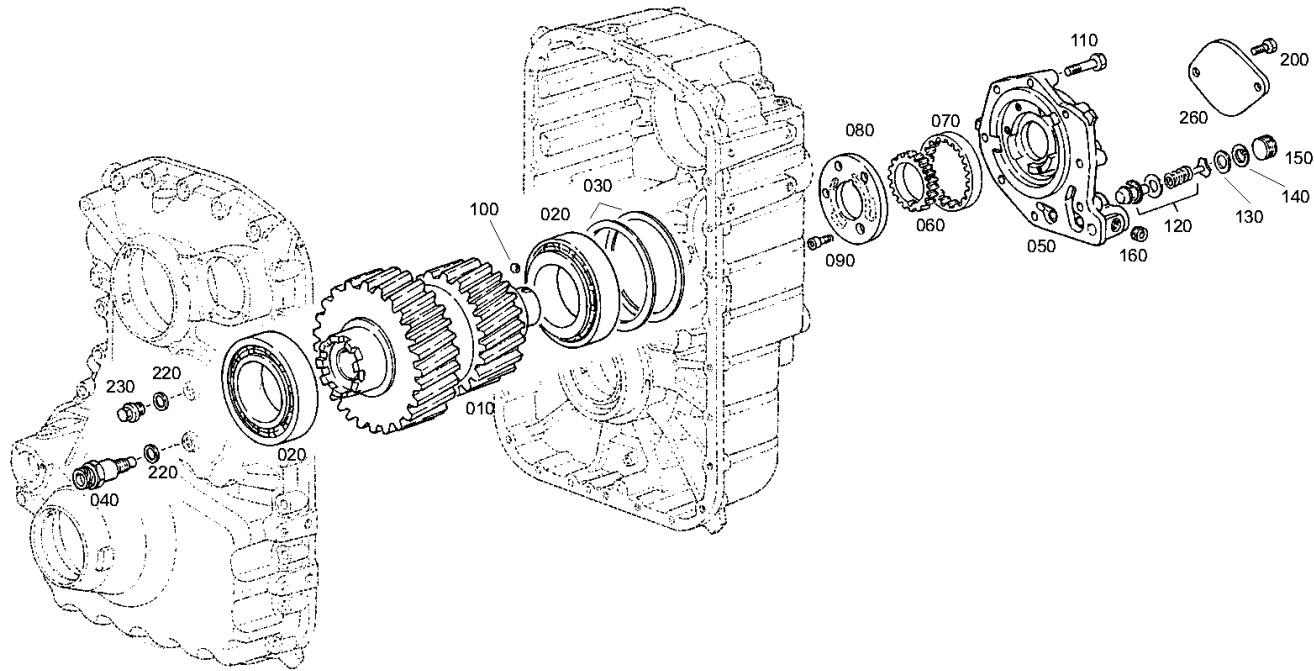
OTK Optional technical kit

ID Identification (output code)

SP Supplier plant

© All rights reserved by ZF Passau, even in the event of applications for copyright. We hold all rights of disposal, such as the right to copy and disseminate. All rights reserved.
For information only, not subject to the amendment service.

26.10.2009



Parts list
Page 1 from 1

Material number: 5851.001.009 VG 2700/400 / KAMAZ PUBLIC JOINT STOCK COMPANY
Plant: 585110501300
Material-assembly-group-no: 5851.105.013



Pos.	Material number	Name	VKF	Amend. no.	Amend. start	Prod. no.	Material feature / tech. info.	OTK	External material no.	ID	Weight	SP
10	5841.302.018	DOUBLE GEAR	1		00.00.0000		z=29			5	37,640	
20	5840.302.982	TAROLLBEARING	2		00.00.0000		190003320226 STEYR			5	3,847	
30	---	SHIM	1		00.00.0000		ZCHNG.172700220038			5	0,000	
---	5840.302.946	SHIM	1		00.00.0000		172700220038 STEYR			5	0,042	
---	5840.302.947	SHIM	1		00.00.0000		172700220039 STEYR			5	0,044	
---	5840.302.948	SHIM	1		00.00.0000		172700220040 STEYR			5	56	
---	5840.302.949	SHIM	1		00.00.0000		172700220041 STEYR			5	0,050	
---	5840.302.950	SHIM	1		00.00.0000		172700220042 STEYR			5	0,055	
---	5840.302.951	SHIM	1		00.00.0000		172700220043 STEYR			5	0,060	
---	5840.302.952	SHIM	1		00.00.0000		172700220044 STEYR			5	0,000	
---	5840.302.953	SHIM	1		00.00.0000		172700220045 STEYR			5	0,064	
40	0501.210.856	PULSE SENSOR	1		00.00.0000		KPL. IN 0501 210 854(2)			5	0,000	
50	5840.302.885	PUMP CARRIER	1		00.00.0000		172700210018 STEYR			5	7,870	
60	5841.300.359	GEAR	1		00.00.0000		199012250100 FA.STEYR			5	0,210	
70	5841.300.360	OELPUMPZAHNKR	1		00.00.0000		199012250101 FA.STEYR			5	0,300	
80	5840.302.883	OIL PUMP COVER	1		00.00.0000		172700210006 STEYR			5	0,720	
90	0636.102.181	CAP SCREW	4		00.00.0000		M6X16			5	0,004	
100	0635.460.011	BALL	1		00.00.0000		6			5	0,004	
110	0636.016.180	HEXAGON BOLT	8		00.00.0000		M12X50			5	55	
120	5840.302.778	VALVE	2		00.00.0000		172700750008 STEYT			5	0,018	
130	0630.004.039	SHIM RING	2		00.00.0000		14X20X1,5			5	1	
140	0630.502.008	RETAINING RING	2		00.00.0000		21X1			5	0,001	
150	0636.301.055	SCREW PLUG	2		00.00.0000		M22X1,5			5	20	
160	0636.301.041	SCREW PLUG	1		00.00.0000		M16X1,5			5	0,010	
190	5840.302.881	PUMP COVER	1		00.00.0000		172000750010 STEYR			5	0,360	
200	0636.015.264	HEXAGON BOLT	2		00.00.0000		M10X20			5	0,020	
220	0634.801.057	SEALING RING	1		00.00.0000		18X22			5	0,002	
230	5840.303.040	SCREW PLUG	1		00.00.0000		170750210035 STEYR			5	0,027	

VKF Incidence factor

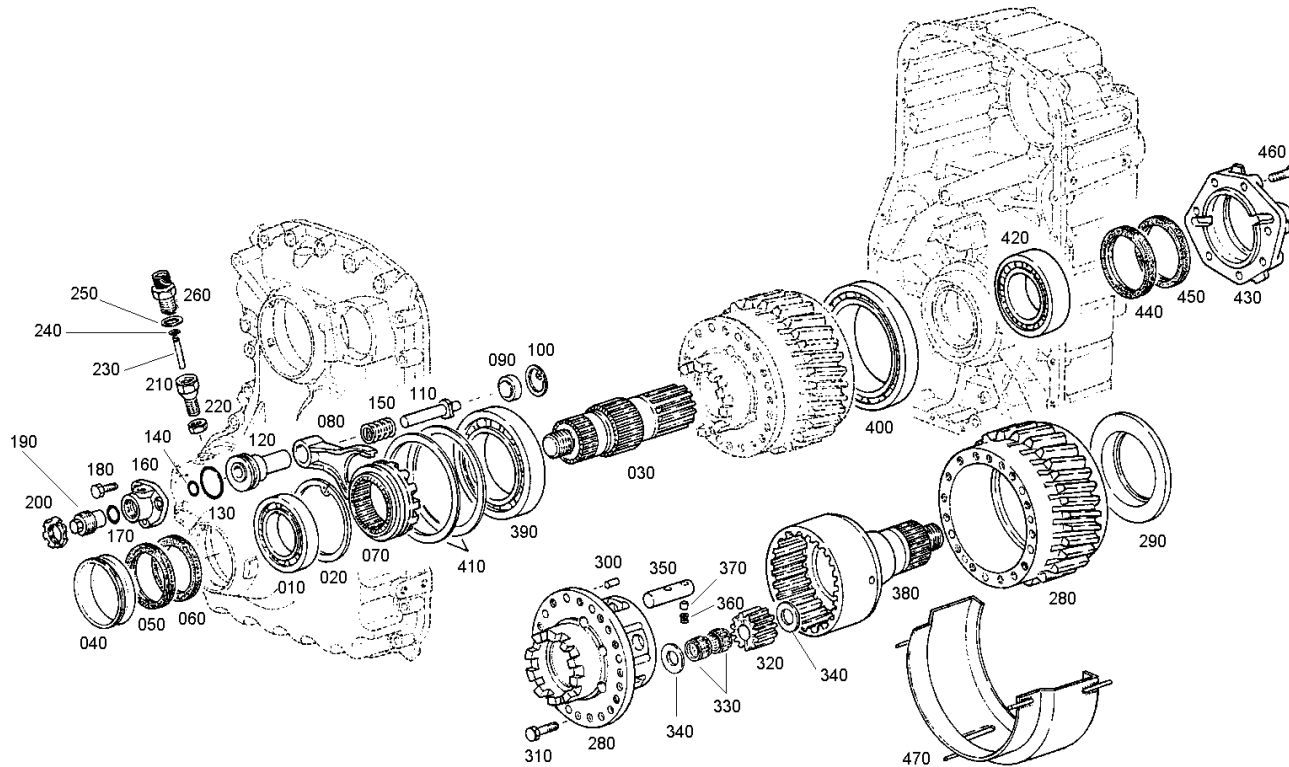
OTK Optional technical kit

ID Identification (output code)

SP Supplier plant

© All rights reserved by ZF Passau, even in the event of applications for copyright. We hold all rights of disposal, such as the right to copy and disseminate. All rights reserved.
For information only, not subject to the amendment service.

26.10.2009





Pos.	Material number	Name	VKF	Amend. no.	Amend. start	Prod. no.	Material feature / tech. info.	OTK	External material no.	ID	Weight	SP
10	0635.332.066	BALL BEARING	1		00.00.0000		80X140X26			5	1,480	
20	0630.502.051	RETAINING RING	1		00.00.0000		140X4			5	107	
30	5840.302.894	OUTPUT SHAFT	1		00.00.0000		172700220014 Z=25 STEYR			5	10,020	
40	5841.300.551	POT	1		00.00.0000		199118250219 FA.STEYR			5	0,162	
50	5840.333.233	SHAFT SEAL	1		00.00.0000		ENTH.IN 199118250287 FA.STEYR			5	0,061	
60	5840.333.240	SHAFT SEAL	1		00.00.0000		ENTH.IN 199118250287 FA.STEYR			5	0,057	
70	5840.302.896	GEAR SHIFT SLEEVE	1		00.00.0000		172700220020 STEYR			5	1,880	
80	5840.302.970	GEAR SHIFT FORK	1		00.00.0000		172700240009 STEYR			5	1,125	
90	5840.302.916	SPRING HOLDER	1		00.00.0000		172700240008 STEYR			5	122,300	
100	0630.502.024	RETAINING RING	1		00.00.0000		45X1,75			5	2	
110	5841.300.210	GEAR SHIFT ROD	1		00.00.0000		171600240013 FA.STEYR			5	0,268	
120	5841.300.211	GEAR SHIFT PISTON	1		00.00.0000		171600240014 FA.STEYR			5	0,450	
130	5840.333.069	SEALING RING	1		00.00.0000		49X3 / 171600240016 FA. STEYR HNBR-75			5	0,001	
140	5840.333.067	SEALING RING	1		00.00.0000		18X3 / 170750240028 FA. STEYR HNBR-7518X3 / 170750240028 FA.ST			5	0,001	
150	5841.300.653	COMPRSPRING	1		00.00.0000		1-99-976-003 FA.STEYR			5	0,050	
160	5841.300.162	COVER	1		00.00.0000		171200240036----- FA.STEYR			5	0,350	
170	5840.333.064	SEALING RING	1		00.00.0000		27,3X2,4/161100070032 FA.STEYR MVQ-70			5	0,010	
180	0636.015.299	HEXAGON BOLT	3		00.00.0000		M8X20			5	0,010	
190	5841.300.161	NUT	1		00.00.0000		171200240033 FA.STEYR			5	0,134	
200	5840.302.521	SLOTTED NUT	1		00.00.0000		190003881532 STEYR			5	0,039	
210	5841.300.562	SETTING SCREW	1		00.00.0000		199118250244 FA.STEYR			5	0,060	
220	5840.333.197	HEXAGON NUT	1		00.00.0000		M12X1,5 / 190003871526 FA.STEYR A3C			5	0,011	
230	5841.300.214	PIN	1		00.00.0000		171610240002 FA.STEYR			5	0,007	
240	0630.505.536	SNAP RING	1		00.00.0000					5	0,010	
250	0634.801.057	SEALING RING	1		00.00.0000		18X22			5	0,002	
260	5841.300.253	PRESSURE SWITCH	1		00.00.0000		172000710002 FA.STEYR			5	0,084	

VKF Incidence factor

OTK Optional technical kit

ID Identification (output code)

SP Supplier plant



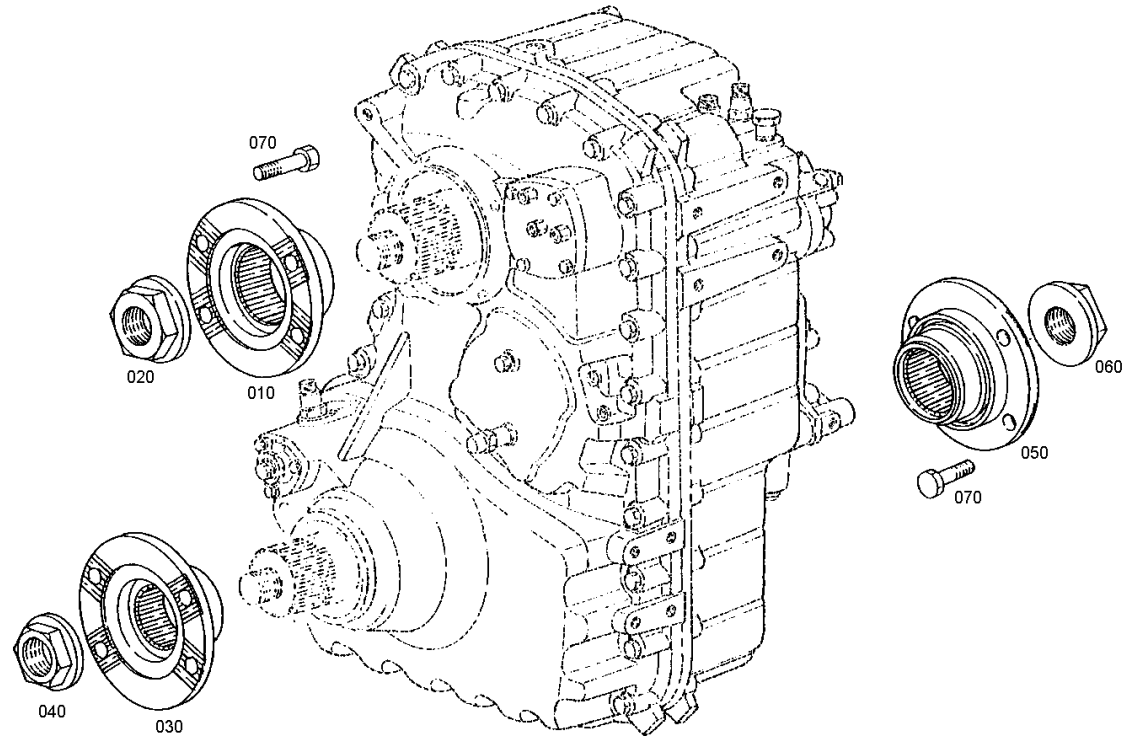
Pos.	Material number	Name	VKF	Amend. no.	Amend. start	Prod. no.	Material feature / tech. info.	OTK	External material no.	ID	Weight	SP
280	5851.206.001	OUTPUT GEAR	1		00.00.0000		kpl.			5	0,000	
290	5841.302.142	OIL DAM	1		00.00.0000		172700220065			5	0,335	
300	5841.300.324	FITTING PIN	9		00.00.0000		Ähnlich DIN 6325			5	0,020	
310	0636.020.118	HEXAGON BOLT	12	K00387/ 0710	00.00.0000	00.00.0000	M12X1,5X40			5	0,050	
320	5840.302.891	PLANET GEAR	5		00.00.0000		172700220010 Z=19 STEYR			5	0,480	
330	5840.302.899	NEEDLE CAGE	5		00.00.0000		172700220023 STEYR			5	0,042	
340	5840.302.897	THRUST WASHER	10		00.00.0000		172700220021 STEYR			5	25	
350	5840.302.892	PLANET SHAFT	5		00.00.0000		172700220011 STEYR			5	440	
360	5841.300.544	COMPRSPRING	5		00.00.0000		199118250159 FA.STEYR			5	0,010	
370	0631.302.047	CYLINDRICAL PIN	5		00.00.0000		6X10			5	0,010	
380	5840.302.895	OUTPUT SHAFT	1		00.00.0000		172700220015 HA Z=65 STEYR			5	14,820	
390	0635.370.033	TAROLLBEARING	1		00.00.0000		130X200X45			5	5,160	
400	0750.117.033	TAROLLBEARING	1		00.00.0000		WTB 32934-J DIN720			5	4,470	
410	---	SHIM	1		00.00.0000		ZCHNG.172700220046			5	0,000	
---	5840.302.954	SHIM	1		00.00.0000		172700220046 STEYR			5	0,060	
---	5840.302.955	SHIM	1		00.00.0000		172700220047 STEYR			5	63,200	
---	5840.302.956	SHIM	1		00.00.0000		172700220048 STEYR			5	0,062	
---	5840.302.957	SHIM	1		00.00.0000		172700220049 STEYR			5	0,733	
---	5840.302.958	SHIM	1		00.00.0000		172700220050 STEYR			5	0,078	
---	5840.302.959	SHIM	1		00.00.0000		172700220051 STEYR			5	0,083	
---	5840.302.960	SHIM	1		00.00.0000		172700220052 STEYR			5	0,050	
---	5840.302.961	SHIM	1		00.00.0000		172700220053 STEYR			5	0,090	
420	5840.302.983	SFALIGNBEARG	1		00.00.0000		190003320227 STEYR			5	2,685	
430	5841.301.300	BEARING COVER	1		00.00.0000		172700210020----- STEYR			5	2,920	
440	5840.302.304	SHAFT SEAL	1		00.00.0000		190003070183 FA.STEYR A110X130X12 FDP-----			5	0,098	
450	5840.302.305	SHAFT SEAL	1		00.00.0000		190003070184 FA.STEYR ASL 110X130X13 NBR			5	0,078	
460	0636.011.294	HEXAGON BOLT	7		00.00.0000		M12X40			5	46	
470	5840.302.884	ABDECKDECKEL	1		00.00.0000		172700210008 STEYR			5	1,170	

VKF Incidence factor

OTK Optional technical kit

ID Identification (output code)

SP Supplier plant





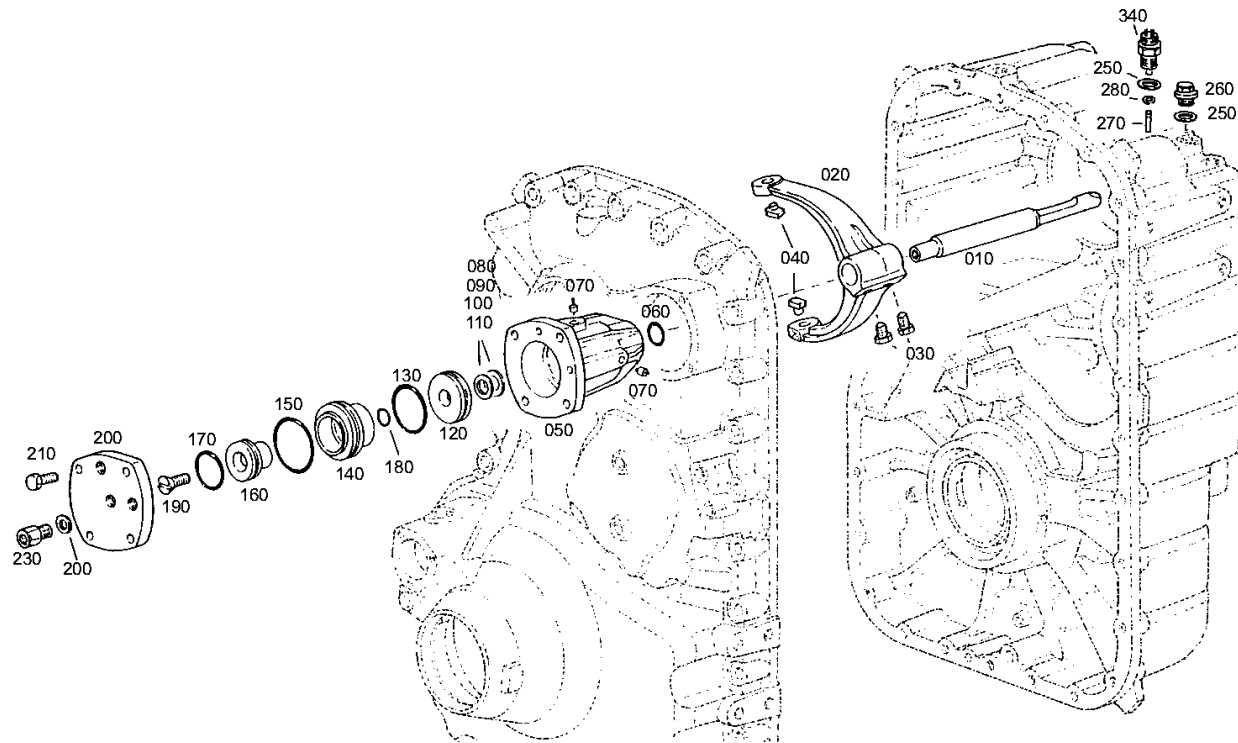
Pos.	Material number	Name	VKF	Amend. no.	Amend. start	Prod. no.	Material feature / tech. info.	OTK	External material no.	ID	Weight	SP
10	5841.300.779	FLANGE	1		00.00.0000		172700220004 STEYR			5	4,055	
20	5840.302.621	COLLAR NUT	1		00.00.0000		173500220007 FA. STEYR ST 50-2173500220007 FA. STEYR			5	0,853	
30	5841.300.586	FLANGE	1		00.00.0000		Z=38			5	3,640	
40	5841.300.530	COLLAR NUT	1		00.00.0000		M38X1,5 SW=65 E295			5	0,700	
50	5841.300.779	FLANGE	1		00.00.0000		172700220004 STEYR			5	4,055	
60	5840.302.621	COLLAR NUT	1		00.00.0000		173500220007 FA. STEYR ST 50-2173500220007 FA. STEYR			5	0,853	
70	0636.020.211	HEXAGON BOLT	12		00.00.0000		M14X1,5X50			5	0,080	

VKF Incidence factor

OTK Optional technical kit

ID Identification (output code)

SP Supplier plant





Pos.	Material number	Name	VKF	Amend. no.	Amend. start	Prod. no.	Material feature / tech. info.	OTK	External material no.	ID	Weight	SP
10	5840.302.967	GEAR SHIFT ROD	1		00.00.0000		172700240005 STEYR			5	0,892	
20	5840.302.972	GEAR SHIFT FORK	1		00.00.0000		172700240012 STEYR			5	1,850	
30	5841.300.624	SCREW	2		00.00.0000		199118250424 FA.STEYR			5	0,030	
40	5840.302.979	SCHALTGABELSCHUHE	2		00.00.0000		173500240005 STEYR			5	0,048	
50	5851.312.001	SHIFT CYLINDER	1		00.00.0000		172700240010 FA.STEYR			5	1,135	
60	5840.333.137	SEALING RING	1		00.00.0000		26X3 / 199118250427 FA. STEYR HNBR-7526X3 / 199118250427 FA.ST			5	0,001	
70	0501.323.115	PLUG	2		00.00.0000		4 02961-00405S TEXTRON			5	0,001	
80	---	WASHER	1		00.00.0000					3	0,000	
---	0630.004.264	SHIM RING	1		00.00.0000		18X25X0,2			5	0,001	
---	5840.333.211	SHIM RING	1		00.00.0000		18X25X0,4/190003930210 FA.STEYR			5	0,001	
---	0630.004.042	SHIM RING	1		00.00.0000		18X25X1			5	0,002	
---	0630.004.288	SHIM RING	1		00.00.0000		18X25X1,8			5	1	
120	5840.302.971	PISTON	1		00.00.0000		172700240011 STEYR			5	0,170	
130	5838.300.726	SEALING RING	1		00.00.0000		199118250407 FA.STEYR			5	0,001	
140	5840.302.966	PISTON	1		00.00.0000		172700240004 STEYR			5	0,100	
150	5840.302.987	SEALING RING	1		00.00.0000		171200240014 STEYR			5	0,001	
160	5840.302.965	PISTON	1		00.00.0000		172700240003 STEYR			5	0,203	
170	5840.303.318	SEALING RING	1		00.00.0000		199118250406 STEYR 39X3-HNBR- 75199118250406 STEYR 39X3			5	0,001	
180	5840.333.067	SEALING RING	1		00.00.0000		18X3 / 170750240028 FA. STEYR HNBR-7518X3 / 170750240028 FA.ST			5	0,001	
190	0636.420.081	COUNTERSSCREW	1		00.00.0000		M12X30			5	0,030	
200	5840.302.964	COVER	1		00.00.0000		172700240002 STEYR			5	1,050	
210	0636.015.227	HEXAGON BOLT	4		00.00.0000		M10X35			5	30	
220	0634.801.205	SEALING RING	3		00.00.0000		12X15,5			5	0,008	
230	5840.303.316	REDUCTION PIECE	3		00.00.0000		1680350125 STEYR			5	0,027	
250	0634.801.057	SEALING RING	2		00.00.0000		18X22			5	0,002	
260	0636.302.021	SCREW PLUG	1		00.00.0000		M18X1,5			5	0,090	
270	5841.300.432	PIN	1		00.00.0000		199114250047 FA.STEYR			5	0,010	

VKF Incidence factor

OTK Optional technical kit

ID Identification (output code)

SP Supplier plant



Pos.	Material number	Name	VKF	Amend. no.	Amend. start	Prod. no.	Material feature / tech. info.	OTK	External material no.	ID	Weight	SP
280	0630.505.536	SNAP RING	1		00.00.0000					5	0,010	
340	5841.300.254	PRESSURE SWITCH	1		00.00.0000		172000710003 FA.STEYR			5	0,084	

VKF Incidence factor

OTK Optional technical kit

ID Identification (output code)

SP Supplier plant

Plant Page 1 from 1

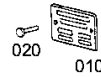
Material number: 5851.001.009

VG 2700/400 / KAMAZ PUBLIC JOINT STOCK COMPANY

Plant: 584813900200

TYPE PLATE

Material-assembly-group-no: 5848.139.002





Pos.	Material number	Name	VKF	Amend. no.	Amend. start	Prod. no.	Material feature / tech. info.	OTK	External material no.	ID	Weight	SP
10	5838.300.737	TYPE PLATE	1		00.00.0000		50X35X0.5 ALMG1			5	0,002	
20	5838.300.301	GROOVED STUD	2		00.00.0000		155700733047 STEYR			5	0,001	

VKF Incidence factor

OTK Optional technical kit

ID Identification (output code)

SP Supplier plant