



Spare Parts Catalog

9 S 1310 TO
KAMAZ PUBLIC JOINT STOCK COMPANY

Material number: 1324.001.048



| Pos. | Information | Amendment number |
|------|---|------------------|
| 001 | Use case ----- | |
| 002 | Customer KAMAZ PUBLIC JOINT STOCK COMPANY | |
| 003 | City Naberezhnye Chelny | |
| 004 | DUNS 64-493-2113 | |
| 005 | Vehicle / Apparatus ----- | |
| 006 | Sales Name | |
| 007 | Manufacturer KAMAZ PUBLIC JOINT STOCK COMPANY | |
| 008 | Engineering Name | |
| 009 | Product Use TRUCK | |
| 010 | Vehicle/Hardware Type ROAD TRACTOR | |
| 011 | SOP | |
| 012 | Engine | |
| 013 | Sales Designation | |
| 014 | Manufacturer Cummins Engine Co. | |
| 015 | Eng.Displ. | |
| 016 | Cylinder | |
| 017 | Nom. power 210 kW | |
| 018 | RPM at nom. power 2500 1/min | |
| 019 | Nom. torque 1020 Nm | |
| 020 | RPM at nom. torque 1500 1/min | |
| 021 | Classification use case ----- | |
| 022 | DESIGNATION, CLUTCH | |
| 023 | MANUFACTURER, CLUTCH ZF-SACHS | |
| 024 | TOTAL NUMBER OF GEARS 6 | |
| 025 | NUMBER OF DRIVING GEARS 4 | |
| 026 | DYNAMIC TYRE RADIUS 508 mm | |
| 027 | REAR AXLE RATIO 6.53 | |
| 031 | PERMISS.GROSS VEHICLE WEIGHT 25 t | |
| 032 | PERMISS.GROSS COMBIN.WEIGHT 38 t | |
| 033 | APPROVAL NOTE 1 FIRST FITTING CHECK CARR.OUT | |



| Pos. | Information | Amendment number |
|------|---|------------------|
| 034 | Product description ----- | |
| 035 | INSTALLATION POS TRANSMISSION HORIZONTAL LEFT | |
| 036 | TRANSMISSION ATTACHMENT FLANGE-MOUNTED | |
| 037 | RATIO, BOTTOM GEAR 9.48 | |
| 038 | RATIO, TOP GEAR .75 | |
| 039 | SET OF RATIOS TO | |
| 040 | RATIO, 1ST GEAR 9.48 | |
| 041 | RATIO, 2ND GEAR 6.58 | |
| 042 | RATIO, 3RD GEAR 4.68 | |
| 043 | RATIO, 4TH GEAR 3.48 | |
| 044 | RATIO, 5TH GEAR 2.62 | |
| 045 | RATIO, 6TH GEAR 1.89 | |
| 046 | RATIO, 7TH GEAR 1.35 | |
| 047 | RATIO, 8TH GEAR 1 | |
| 048 | RATIO, 9TH GEAR .75 | |
| 049 | RATIO, 1ST GEAR REVERSE 8.97 | |
| 050 | UEBERSETZUNG PLANETENSATZ 3.48 | |
| 051 | NUMBER OF PLANETARY GEARS 4 | |
| 052 | DESIGN, SHIFT SYSTEM TURNING SHAFT | |
| 053 | POSITION, GEAR SHIFT SYSTEM HORIZONTAL LEFT | |
| 054 | DESIGN, SHIFT PATTERN H-H | |
| 056 | AUSFUEHRUNG ROHR GP PLASTIC-FORM-PIPE | |
| 059 | DESIGN, SEPARATING CLUTCH FULL-SYNCHRONIZED | |
| 060 | REFERENCE LENGTH INPUT SHAFT 286 mm | |
| 061 | STANDARD TYPE INPUT SHAFT SAE | |
| 062 | NUMBER OF WEDGES INPUT SHAFT 10 | |
| 063 | VERSION OF INPUT SHAFT FORM C | |
| 064 | NOMINAL DIAMETER INPUT SHAFT 1.75 in | |
| 065 | DIAMETER, JOURNAL, INPUT SHAFT 25 mm | |
| 066 | TYPE FIT SPIGOTS INPUT SHAFT F7 | |



| Pos. | Information | Amendment number |
|------|--|------------------|
| 067 | DIAMETER SHAFT OF INPUT SHAFT 44 mm | |
| 068 | BUSH VARIANT INPUT SHAFT WITHOUT GROOVE | |
| 069 | DESIGN,CONN., CLUTCH HOUSING SAE 1 | |
| 073 | DIAMETER, RELEASE FLANGE 60 mm | |
| 074 | TYPE FIT RELEASE BEARING FLA. E8 | |
| 075 | DICHTKAPPE AUSRUECKLAGERFL y | |
| 076 | DESIGN BEARING OUTPUT STANDARD SUSPENSION | |
| 077 | OUTER DIA. OUTPUT FLANGE RA 180 mm | |
| 078 | NO.OF SCREWS OUTPUT FLANGE RA 4 | |
| 081 | DIA. THREAD OUTPUT FL. SCR. RA M14 | |
| 082 | REF. LENGTH OUTPUT FLANGE RA 103 mm | |
| 083 | THREAD PITCH OUTPUT FL SCR. RA 1.5 mm | |
| 084 | THREAD LENGTH OUTP.FL SCREW RA 50 mm | |
| 085 | DIMENSION SHIFT TURRET DIST. 229 mm | |
| 086 | MEAS. LOC. SHIFT TURRET DIST. SHIFT LEVER-LOCATION | |
| 106 | SPRING ARRANGEMENT Q2 | |
| 107 | NORMENART HOHLFLANSCH HEXAGON SCREW | |
| 108 | TOOLING SET OF SPRINGS W308 | |
| 109 | SPRING FORCE DETENT PLUNGER RG 153.000 N | |
| 111 | SPRING FORCE,GEAR DETENT NG+GG 200 N | |
| 112 | SELECTION PATTERN VARIANT GEAR SHIFT PATTERN 1 | |
| 115 | SWITCH, REVERSE GEAR y | |
| 116 | DESIGN, RG (REV.GEAR) SWITCH CLOSING | |
| 117 | NOTE ON SWITCH, REVERSE GEAR GEAR SHIFT RAIL | |
| 118 | PROT. CAP SWITCH, REVERSE GEAR y | |
| 119 | DESIGN, CONNECTION, RG SWITCH BAYONET+PLUG | |
| 121 | SWITCH, NEUTRAL GEAR y | |
| 122 | DESIGN,NG(NEUTRAL GEAR)SWITCH OPENING SWITCH | |
| 123 | PROT.CAP SWITCH, NEUTRAL GEAR y | |
| 124 | DESIGN, CONNECTION, NG SWITCH BAYONET+PLUG | |



| Pos. | Information | Amendment number |
|------|---|------------------|
| 126 | FUNKTION GP-SCHALTER GP | |
| 127 | DESIGN, GP SWITCH OPENING SWITCH | |
| 128 | PROTECTING CAP GP SWITCH y | |
| 129 | DESIGN, CONNECTION, GP SWITCH BAYONET+PLUG | |
| 130 | REF.LENGTH,RELEASE BEAR.FLAN 170 mm | |
| 132 | ATTACHED AGRREGATES 1 WITHOUT WSK | |
| 133 | ATTACHM.POS.HEAT EXCHANGER WITHOUT GROOVE | |
| 134 | VER. TRANSMISSION VENTILATION BREATHER | |
| 137 | ATTACHMENT VARIANT, RETARDER WITHOUT GROOVE | |
| 138 | LENGTH CLUTCH HOUSING 174 mm | |
| 140 | TYPE OF RELEASE MECHANISM PULLED | |
| 141 | VERSION OF CLUTCH CYLINDER SERVO | |
| 142 | DIAMETER, CLUTCH CYLINDER 100 mm | |
| 143 | ASSEMBLY POS. CLUTCH CYLINDER 6 | |
| 144 | LENGTH TAPPET CLUTCH CYLINDER 127 mm | |
| 145 | DESIGN LUBRI.CONN. REL.BEARING WITHOUT GROOVE | |
| 146 | THREAD DIA. MTG BOLT SUSPENSION M16 | |
| 148 | THREAD PITCH SUSPENSION 2 mm | |
| 149 | DESIGN WEAR INDICATOR CLUTCH WITHOUT GROOVE | |
| 150 | DESIGN SWITCH CLUTCH PREPARED | |
| 155 | OUTER DIAMETER RELEASE BEARING 60 mm | |
| 157 | WRENCH SIZE, RELEASE FORK 128 mm | |
| 158 | LENGTH, RELEASE BEARING 82 mm | |
| 160 | DESIGN PULSE SENSOR INPUT WITHOUT GROOVE | |
| 162 | PROT.CAP PULSE SENSOR INPUT n | |
| 164 | NO. PULSES PULSE SENSOR SFAH68 8 IMP/U | |
| 166 | VERSION PULSE SENSOR SFA H68 WITH | |
| 168 | PROT. CAP PULSE SENSOR SFA H68 y | |
| 182 | HINWEIS ZU OELBEFUELLUNG FILL IN OVERFLOW | |
| 183 | POSITION, OIL FILLER HOUSING, LH SIDE | |



| Pos. | Information | Amendment number |
|------|---|------------------|
| 184 | OIL CAPACITY, GEARBOX 8.8 dm3 | |
| 186 | OIL GRADE PERMISSIBLE ACC. TO TE-ML02 | |
| 188 | COLOR JET BLACK | |
| 189 | COLOUR CLASSIFICATION ACC. TO RAL 9005 | |
| 190 | PAINTING, ZF STANDARD 915 W | |
| 191 | CODING OUTER CONSERVATION KA1 | |
| 192 | SCOPE OUTER CONSERVATION T | |
| 193 | CODING INNER CONSERVATION KI1 | |
| 194 | CONSERVATION SPECIFICATION ZFN 916 | |
| 195 | CODIERUNG STOPFENANZAHL | |
| 196 | Documents ----- | |
| 197 | Checkliste_CKD Text-document 1324.199.004 | |
| 198 | TURN.SHAFT CONT Drawing 1324.149.004 | |
| 199 | TURN.SHAFT CONT Assembly 1324.149.004 | |
| 200 | 9-SPEED GEARBOX Drawing 1324.001.042 | |
| 201 | 9-SPEED GEARBOX Assembly 1324.001.042 | |
| 202 | GEARSHIFT SYST. Drawing 1324.172.009 | |
| 203 | GEARSHIFT SYST. Assembly 1324.172.009 | |
| 204 | 9-SPEED GEARBOX Drawing 1324.601.016 | |
| 205 | KUPPLUNGSGLOCKE Drawing 6060.000.001 | |
| 206 | CLUTCH HOUSING Drawing 6060.600.029 | |
| 207 | 9-SPEED GEARBOX Assembly 1324.601.016 | |



| Graphics | Pos. | Material number | Name | VKF | Amend. no. | Amend. start | Prod. no. | Material feature / tech. info. | ID |
|-------------|------|-----------------|--------------------|-----|------------------|--------------|-----------|--|----|
| 062.01.15-1 | 110 | 1324.101.038 | GEARBOX HOUSING | 1 | | 00.00.0000 | | NEW ECOMID*SG*WA *SEP.K-GEHAEUSE*O.SERVO | 3 |
| 062.01.15-1 | 120 | 1324.101.801 | GEARBOX HOUSING | 1 | | 00.00.0000 | | NEW ECOMID *ENTLUEFTER | 3 |
| 062.01.15-1 | 122 | 1304.101.800 | CLOSING COMPONENTS | 1 | | 00.00.0000 | | NA-OEFFNUNG | 3 |
| 062.02.10-1 | 140 | 1304.102.455 | CONNPLATE | 1 | | 00.00.0000 | | L=170*D=60E8 | 3 |
| 062.02.10-1 | 150 | 1324.102.802 | INPUT SHAFT | 1 | | 00.00.0000 | | O.WSK*DICHTKAPPE | 3 |
| 062.02.10-1 | 910 | 1324.102.011 | INPUT SHAFT | 1 | | 00.00.0000 | | 9,48-0,75 *L=286*SAE10C 1 3/4 | 3 |
| 062.03.07-1 | 180 | 1324.103.800 | LAYSHAFT | 1 | | 00.00.0000 | | O.WSK*PUMPE | 3 |
| 062.03.07-1 | 920 | 1324.103.006 | LAYSHAFT | 1 | | 00.00.0000 | | 9,48-0,75 9 S 1310 TO / 1110 TD | 3 |
| 062.04.08-1 | 930 | 1324.104.007 | MAIN SHAFT | 1 | | 00.00.0000 | | 9,48-0,75 *E21 *OPTIMIERTE SYNCHONISIERUNG | 3 |
| 062.06.27-1 | 230 | 1324.106.004 | GEAR SHIFT SYSTEM | 1 | | 00.00.0000 | | SG*WA*WI/WII *3/4G M.UMLENKG*1/2G O.UMLENKG | 3 |
| 062.06.27-1 | 238 | 1324.106.406 | CONNECTING PARTS | 1 | | 00.00.0000 | | WA*RG-SCHL*NG-OEFF*BAJO *NEW ECOMID*H-H | 3 |
| 062.07.15-1 | 282 | 1324.107.800 | GEAR SHIFT HOUSING | 1 | Z0000389 4110 | 06.04.2009 | | O.ABSTUETZPUNKT | 3 |
| 062.07.15-1 | 910 | 1324.107.006 | GEAR SHIFT HOUSING | 1 | | 00.00.0000 | | NEW ECOMID*H-H*153N *WL/WR | 3 |
| 062.07.15-1 | 914 | 1324.107.408 | GEAR SHIFT SHAFT | 1 | | 00.00.0000 | | NEW ECOMID*WI*228*HH-WL | 3 |
| 062.08.22-1 | 930 | 1324.170.011 | COVER | 1 | | 00.00.0000 | | NEW ECOMID*WL/SE*WI | 3 |
| 062.08.22-1 | 934 | 1324.170.802 | COVER | 1 | | 00.00.0000 | | WL | 3 |
| 062.12.29-1 | 922 | 1324.149.026 | SET OF SPRINGS | 1 | | 00.00.0000 | | WL*H-H*Q2*W308 | 3 |
| 062.43.09-1 | 20 | 1304.131.069 | GP HOUSING | 1 | Z0000150 2410 | 13.11.2008 | | 9S109 *O.AUSGL.SCHEIBE *GP-KOLBEN*D=100MM | 3 |
| 062.43.09-1 | 30 | 1304.131.400 | CLOSING COMPONENTS | 1 | | 00.00.0000 | | NA-OEFFNUNG | 3 |
| 062.43.09-1 | 512 | 1324.131.800 | HOUSING GP | 1 | | 00.00.0000 | | NEW ECOMID*6KT.SCHRAUBE *GP-KOLBEN*D=100MM | 3 |
| 062.44.13-1 | 40 | 1324.132.003 | PLANETARY DRIVE | 1 | C0100412 6E10 | 00.00.0000 | | NEW ECOMID*SOLO*4-RAED *SYNCHR. D=165 *9S 1110 TD/9S 1310 TO | 3 |
| 062.44.13-1 | 50 | 1324.132.403 | PLANETARY DRIVE | 1 | C0100412 6E10 | 00.00.0000 | | AD=180*4XM14X1,5X50 *E/Z8 | 3 |
| 062.44.13-1 | 60 | 1324.132.800 | PLANETARY DRIVE | 1 | | 00.00.0000 | | NEW ECOMID*3,48*4-RAEDRIG | 3 |
| 062.45.05-1 | 70 | 1324.133.001 | SYNCHRONIZER | 1 | C0100412 6E10 | 00.00.0000 | | NEW ECOMID*SOLO *MOLYBDAEN | 3 |

VKF Incidence factor

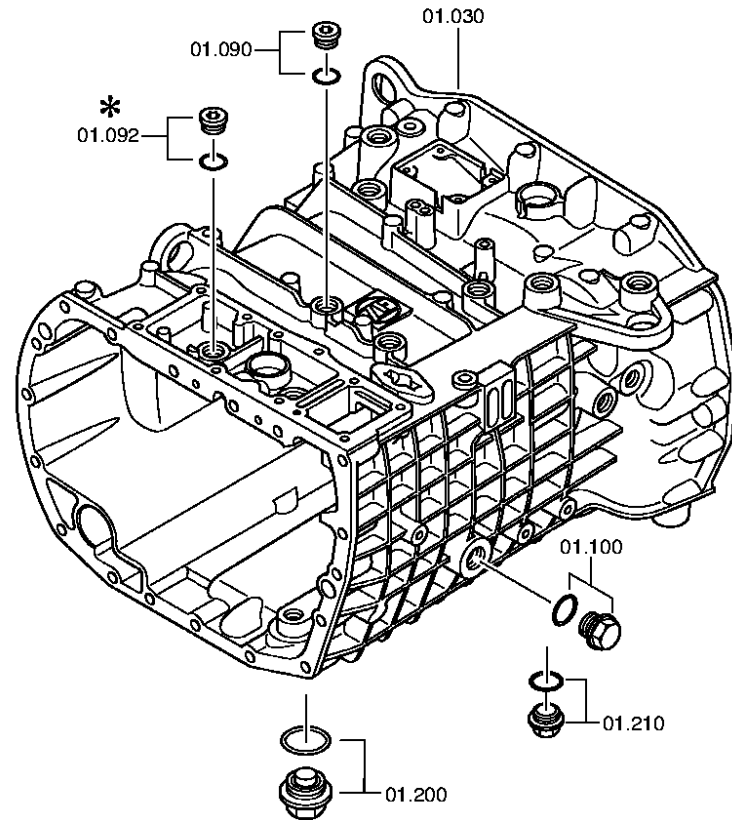
ID Identification (output code)

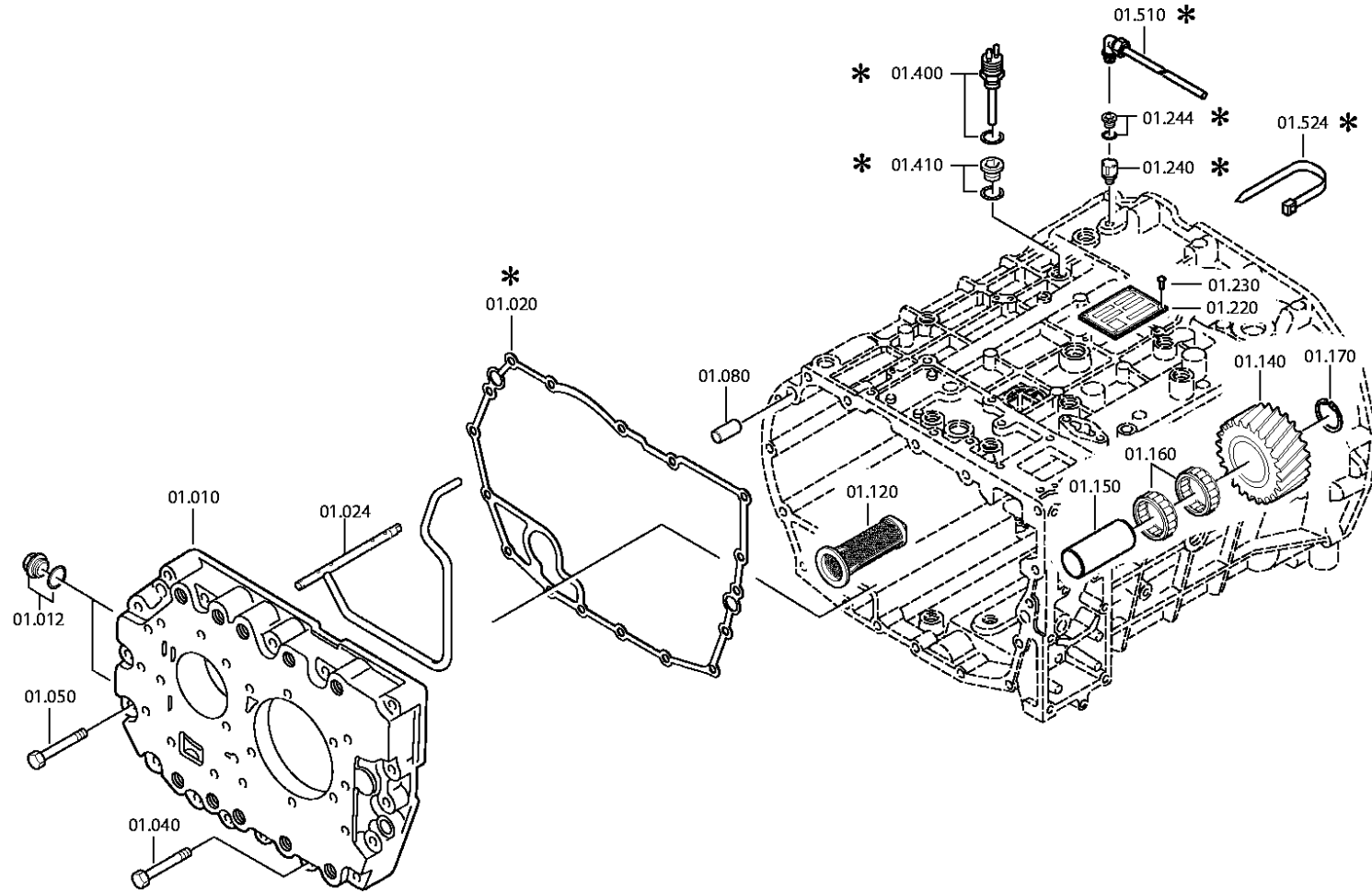


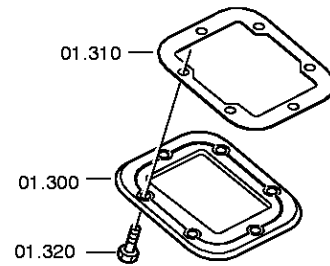
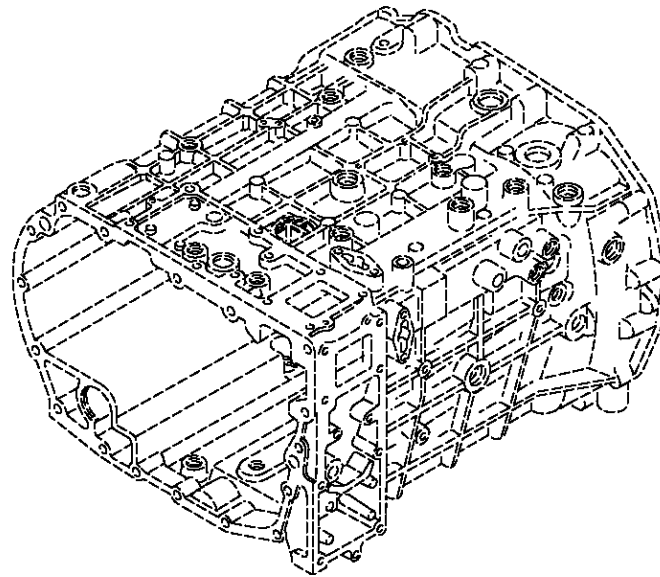
| Graphics | Pos. | Material number | Name | VKF | Amend. no. | Amend. start | Prod. no. | Material feature / tech. info. | ID |
|-------------|------|-----------------|-----------------------|-----|------------|--------------|-----------|---|----|
| 062.45.05-1 | 80 | 1304.133.404 | SYNCHRONIZER | 1 | | 00.00.0000 | | MOLYB. | 3 |
| 062.46.09-1 | 90 | 1324.134.004 | GP SHIFT SYSTEM | 1 | | 00.00.0000 | | KOLBEN-D=100MM*BATCH2 *ANSCHLAG GEDAEMPFT*145N | 3 |
| 062.46.09-1 | 554 | 1304.134.407 | CONNECTING PARTS | 1 | | 00.00.0000 | | GP-OEFF*BAJONETT | 3 |
| 062.47.02-1 | 190 | 1304.135.005 | SPEEDOMETER COVER | 1 | | 00.00.0000 | | E-TACHO*GEBER*BAJONETT | 3 |
| 062.47.02-1 | 194 | 1304.135.803 | SPEEDOMETER COVER | 1 | | 00.00.0000 | | E-TACHO | 3 |
| 062.57.02-1 | 390 | 1304.145.004 | RANGE SELECTION | 1 | | 00.00.0000 | | ECOMID*WA*W I | 3 |
| 061.92.27-1 | 480 | 6060.101.840 | MOUNTING | 1 | | 00.00.0000 | | 9XM18X1,5X85*1XM18X1,5X160*AL-GEHÄUSE | 3 |
| 061.92.27-1 | 900 | 6060.101.520 | CLUTCH HOUSING | 1 | | 00.00.0000 | | SAE 1*L=174,0 *M.KUPPL.VERST-6 | 3 |
| 061.92.27-1 | 920 | 6060.101.877 | MOUNTING | 1 | | 00.00.0000 | | LAGERBOCK *ZF KAMA | 3 |
| 061.93.30-1 | 910 | 6060.168.001 | CLUTCH RELEASE DEVICE | 1 | | 00.00.0000 | | GABEL SW128 | 3 |

VKF Incidence factor

ID Identification (output code)









| Pos. | Material number | Name | VKF | Amend. no. | Amend. start | Prod. no. | Material feature / tech. info. | OTK | External material no. | ID | Weight | SP |
|------|-----------------|-----------------------|-----|------------------|--------------|------------|--------------------------------|-----|-----------------------|----|--------|----|
| 10 | 1324.301.119 | HOUSING I | 1 | C0100574 8F10 | 00.00.0000 | 00.00.0000 | 9S1110/1310, 8S2100 | | | 5 | 0,000 | |
| 12 | --- | SCREW PLUG | 2 | | 00.00.0000 | | M16X1,5 * 45N.M* DICHTRING | | | 3 | 0,000 | |
| --- | 0636.304.048 | SCREW PLUG | 2 | | 00.00.0000 | | M16X1,5 | | | 5 | 0,036 | |
| --- | 0634.801.044 | SEALING RING | 2 | | 00.00.0000 | | 16X20 | | | 5 | 0,010 | |
| 20 | 0501.321.065 | GASKET | 1 | | 00.00.0000 | | | | | 5 | 0,000 | |
| 24 | 1324.201.019 | PIPE | 1 | | 00.00.0000 | | KPL.SPRITZROHR UNTENLIEG. | | | 3 | 0,000 | |
| 30 | 1324.201.041 | HOUSING | 1 | | 00.00.0000 | | KPL. | | | 3 | 0,000 | |
| 40 | --- | HEXAGON BOLT | 3 | | 00.00.0000 | | M10X70 | | | 3 | 0,000 | |
| --- | 0736.010.180 | HEXAGON BOLT | 3 | | 00.00.0000 | | M10X70 IN 0736 010 183(2) | | | 5 | 0,000 | |
| 50 | --- | HEXAGON BOLT | 14 | | 00.00.0000 | | M10X70 | | | 3 | 0,000 | |
| --- | 0736.010.180 | HEXAGON BOLT | 14 | | 00.00.0000 | | M10X70 IN 0736 010 183(2) | | | 5 | 0,000 | |
| 80 | 0631.306.229 | CYLINDRICAL PIN | 2 | | 00.00.0000 | | 16X36 | | | 5 | 0,000 | |
| 90 | --- | SCREW PLUG | 1 | | 00.00.0000 | | M18X1,5 * 35N.M* DICHTRING | | | 3 | 0,000 | |
| --- | 0636.302.021 | SCREW PLUG | 1 | | 00.00.0000 | | M18X1,5 | | | 5 | 0,090 | |
| --- | 0634.801.062 | SEALING RING | 1 | | 00.00.0000 | | 18X24 | | | 5 | 0,001 | |
| 100 | --- | SCREW PLUG | 1 | | 00.00.0000 | | M24X1,5 * 60N.M* DICHTRING | | | 3 | 0,000 | |
| --- | 0636.304.049 | SCREW PLUG | 1 | | 00.00.0000 | | M24X1,5 | | | 5 | 0,094 | |
| --- | 0730.008.637 | SEALING RING | 1 | | 00.00.0000 | | A24X29 | | | 5 | 0,000 | |
| 120 | 0501.318.802 | SCREEN INSERT | 1 | | 00.00.0000 | | | | | 5 | 0,000 | |
| 140 | 1324.305.001 | REVERSE IDLER GEAR | 1 | Z0000378 9910 | 26.10.2009 | 26.10.2009 | 9S1110/9S1310 | | | 5 | 0,000 | |
| 150 | 1304.305.030 | PIN | 1 | | 00.00.0000 | | | | | 5 | 0,000 | |
| 160 | 0750.115.974 | ROLLER CAGE | 2 | C0100448 3F10 | 00.00.0000 | 00.00.0000 | WTB 40,0X60,0X26,0 | | | 3 | 0,000 | |
| 170 | 0630.502.022 | RETAINING RING | 1 | | 00.00.0000 | | 40X1,75 | | | 5 | 4,800 | |
| 200 | --- | SCREW PLUG | 1 | | 00.00.0000 | | M38X1,5 * 120N.M* DICHTRING | | | 3 | 0,000 | |
| --- | 0736.305.052 | SCREW PLUG | 1 | | 00.00.0000 | | MAGNET IN 0736 305 053(3) | | | 5 | 140 | |
| --- | 0634.801.321 | SEALING RING | 1 | | 00.00.0000 | | 38X44 | | | 5 | 0,001 | |

VKF Incidence factor

OTK Optional technical kit

ID Identification (output code)

SP Supplier plant



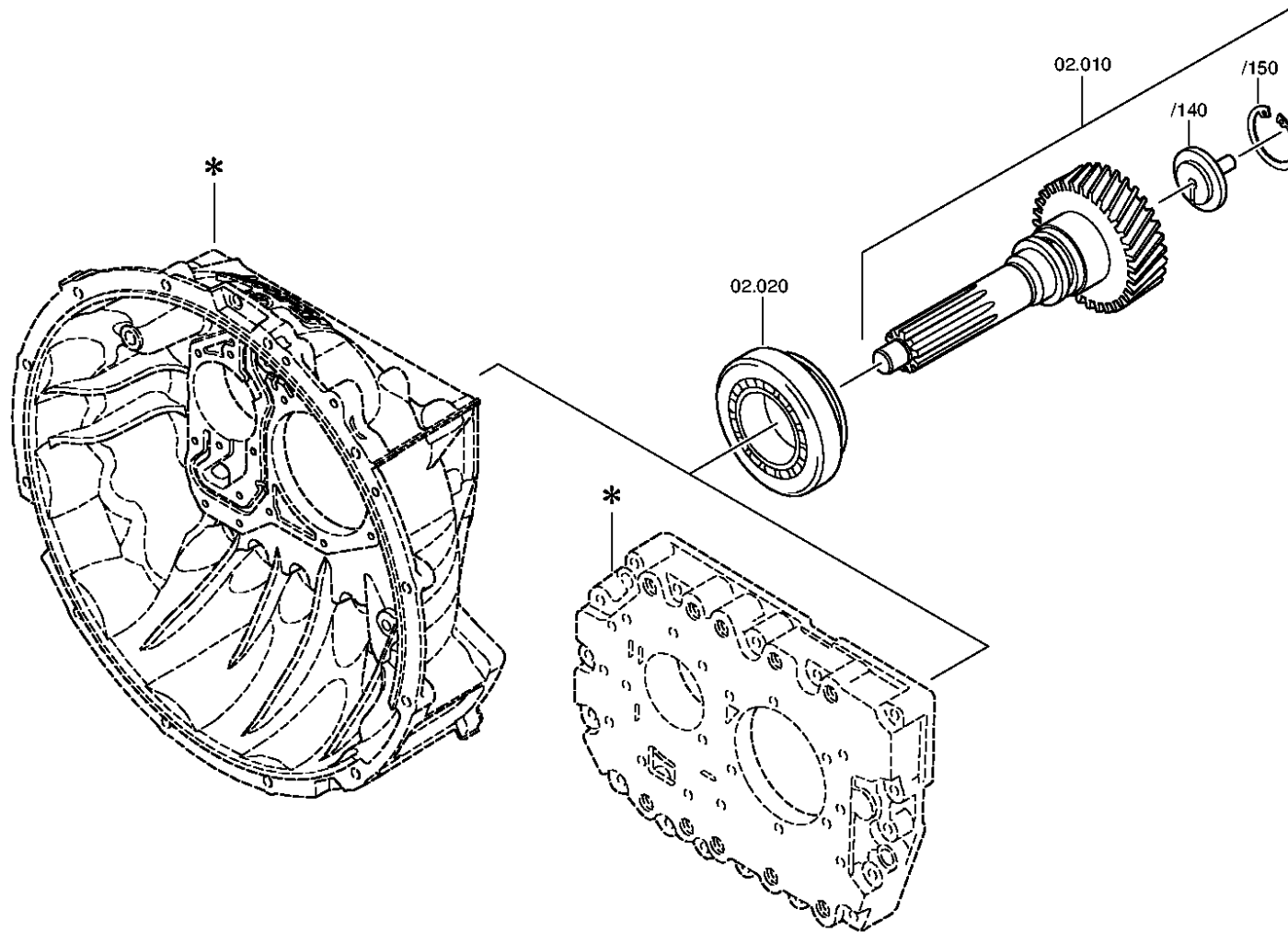
| Pos. | Material number | Name | VKF | Amend. no. | Amend. start | Prod. no. | Material feature / tech. info. | OTK | External material no. | ID | Weight | SP |
|------|-----------------|--------------|-----|------------------|--------------|------------|--------------------------------|-----|-----------------------|----|--------|----|
| 210 | --- | SCREW PLUG | 1 | C0100155 2F10 | 00.00.0000 | 00.00.0000 | M24X1,5 * 60N.M* DICHRING | | | 3 | 0,000 | |
| --- | 0636.304.049 | SCREW PLUG | 1 | | 00.00.0000 | | M24X1,5 | | | 5 | 0,094 | |
| --- | 0730.008.637 | SEALING RING | 1 | | 00.00.0000 | | A24X29 | | | 5 | 0,000 | |
| 220 | --- | TYPE PLATE | 1 | | 00.00.0000 | | WTB *BOUTHEON | | | 3 | 0,000 | |
| --- | 0730.365.241 | TYPE PLATE | 1 | C0100105 6E10 | 00.00.0000 | 00.00.0000 | EINHEITSSCH. VERDREHSICHER | | | 5 | 0,000 | |
| --- | 0730.365.246 | TYPE PLATE | 1 | C0100469 9E10 | 00.00.0000 | 00.00.0000 | EINHEITSSCH. VERDREHSICHER | | | 5 | 0,000 | |
| 230 | 0731.101.049 | BLIND RIVET | 4 | C0100417 6F10 | 00.00.0000 | 00.00.0000 | | | | 5 | 0,000 | |
| 240 | --- | BREATHER | 1 | | 00.00.0000 | | M10X1KEG | | | 3 | 0,000 | |
| --- | 0501.202.797 | BREATHER | 1 | | 00.00.0000 | | KPL. | | | 3 | 30 | |
| 300 | 1304.301.318 | COVER | 1 | | 00.00.0000 | | | | | 5 | 0,000 | |
| 310 | 1290.301.140 | GASKET | 1 | | 00.00.0000 | | ENTHALT.IN 1290 301 071(1) | | | 5 | 0,000 | |
| 320 | --- | HEXAGON BOLT | 6 | | 00.00.0000 | | M10X22 DIN933ALT/8.8 A3C | | | 3 | 0,000 | |
| --- | 0636.015.387 | HEXAGON BOLT | 6 | | 00.00.0000 | | M10X22 | | | 5 | 0,000 | |

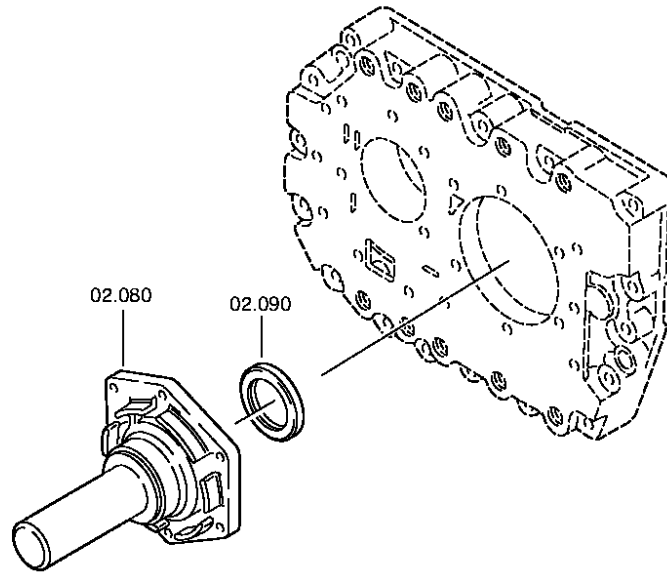
VKF Incidence factor

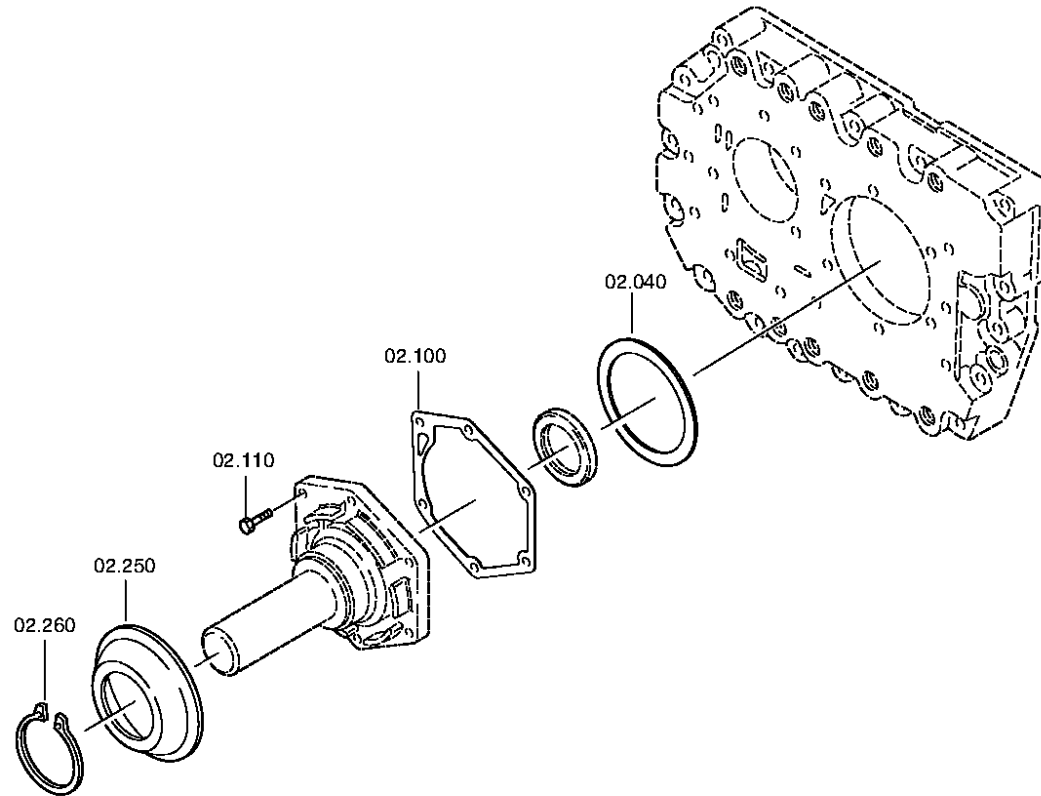
OTK Optional technical kit

ID Identification (output code)

SP Supplier plant









| Pos. | Material number | Name | VKF | Amend. no. | Amend. start | Prod. no. | Material feature / tech. info. | OTK | External material no. | ID | Weight | SP |
|------|-----------------|----------------|-----|------------------|--------------|------------|----------------------------------|-----|-----------------------|----|--------|----|
| 10 | 1324.202.014 | INPUT SHAFT | 1 | | 00.00.0000 | | KPL. | | | 3 | 0,000 | |
| /140 | 1304.302.440 | COVER | 1 | | 00.00.0000 | | | | | 5 | 0,000 | |
| /150 | 0630.502.063 | RETAINING RING | 1 | | 00.00.0000 | | 58X2 | | | 5 | 10,400 | |
| 20 | 0750.117.518 | TAROLLBEARING | 1 | | 00.00.0000 | | WTB 71,4X120,0X32,5 | | | 3 | 0,000 | |
| 40 | --- | SHIM | 1 | | 00.00.0000 | | A= 1,30- 2,30(ABSTUFUNG:0,05MM) | | | 3 | 0,000 | |
| --- | 0730.005.857 | SHIM | 1 | | 00.00.0000 | | A=2,30 IN 0730 006 163(2) | | | 5 | 0,000 | |
| --- | 0730.005.856 | SHIM | 1 | | 00.00.0000 | | A=2,25 IN 0730 006 163(2) | | | 5 | 0,000 | |
| --- | 0730.006.184 | SHIM | 1 | | 00.00.0000 | | A=2,20 IN 0730 006 163(2) | | | 5 | 0,000 | |
| --- | 0730.006.183 | SHIM | 1 | | 00.00.0000 | | A=2,15 IN 0730 006 163(2) | | | 5 | 0,000 | |
| --- | 0730.006.182 | SHIM | 1 | | 00.00.0000 | | A=2,10 IN 0730 006 163(2) | | | 5 | 0,000 | |
| --- | 0730.006.181 | SHIM | 1 | | 00.00.0000 | | A=2,05 IN 0730 006 163(2) | | | 5 | 0,000 | |
| --- | 0730.006.180 | SHIM | 1 | | 00.00.0000 | | A=2,00 IN 0730 006 163(2) | | | 5 | 0,000 | |
| --- | 0730.006.179 | SHIM | 1 | | 00.00.0000 | | A=1,95 IN 0730 006 163(2) | | | 5 | 0,000 | |
| --- | 0730.006.169 | SHIM | 1 | | 00.00.0000 | | A=1,90 IN 0730 006 163(2) | | | 5 | 0,000 | |
| --- | 0730.006.168 | SHIM | 1 | | 00.00.0000 | | A=1,85 IN 0730 006 163(2) | | | 5 | 0,000 | |
| --- | 0730.002.654 | SHIM | 1 | | 00.00.0000 | | A=1,80 IN 0730 006 163(2) | | | 5 | 47 | |
| --- | 0730.006.167 | SHIM | 1 | | 00.00.0000 | | A=1,75 IN 0730 006 163(2) | | | 5 | 0,000 | |
| --- | 0730.002.655 | SHIM | 1 | | 00.00.0000 | | A=1,70 IN 0730 006 163(2) | | | 5 | 0,040 | |
| --- | 0730.006.166 | SHIM | 1 | | 00.00.0000 | | A=1,65 IN 0730 006 163(2) | | | 5 | 0,000 | |
| --- | 0730.002.656 | SHIM | 1 | | 00.00.0000 | | A=1,60 IN 0730 006 163(2) | | | 5 | 43 | |
| --- | 0730.006.165 | SHIM | 1 | | 00.00.0000 | | A=1,55 IN 0730 006 163(2) | | | 5 | 40 | |
| --- | 0730.002.657 | SHIM | 1 | | 00.00.0000 | | A=1,50 IN 0730 006 163(2) | | | 5 | 39 | |
| --- | 0730.006.164 | SHIM | 1 | | 00.00.0000 | | A=1,45 IN 0730 006 163(2) | | | 5 | 37 | |
| --- | 0730.002.658 | SHIM | 1 | | 00.00.0000 | | A=1,40 IN 0730 006 163(2) | | | 5 | 0,030 | |
| --- | 0730.007.640 | SHIM | 1 | | 00.00.0000 | | A=1,35 IN 0730 006 163(2) | | | 5 | 35 | |
| --- | 0730.002.659 | SHIM | 1 | | 00.00.0000 | | A=1,30 IN 0730 006 163(2) | | | 5 | 29 | |
| 80 | 1304.302.350 | CONNPLATE | 1 | | 00.00.0000 | | ENTHALT.IN 1304 302 347(0) | | | 5 | 0,000 | |
| 90 | 0734.310.104 | SHAFT SEAL | 1 | | 00.00.0000 | | 52X68X8 FA.CFW | | | 5 | 0,000 | |
| 100 | 0501.322.828 | GASKET | 1 | C0100574 9F10 | 00.00.0000 | 00.00.0000 | | | | 5 | 0,000 | |
| 110 | --- | HEXAGON BOLT | 6 | | 00.00.0000 | | M8X30 ISO4017/8.8 A3C | | | 3 | 0,000 | |
| --- | 0636.015.321 | HEXAGON BOLT | 6 | | 00.00.0000 | | M8X30 | | | 5 | 0,010 | |
| 250 | 1304.302.232 | SEALING CAP | 1 | | 00.00.0000 | | | | | 5 | 0,000 | |

VKF Incidence factor

OTK Optional technical kit

ID Identification (output code)

SP Supplier plant



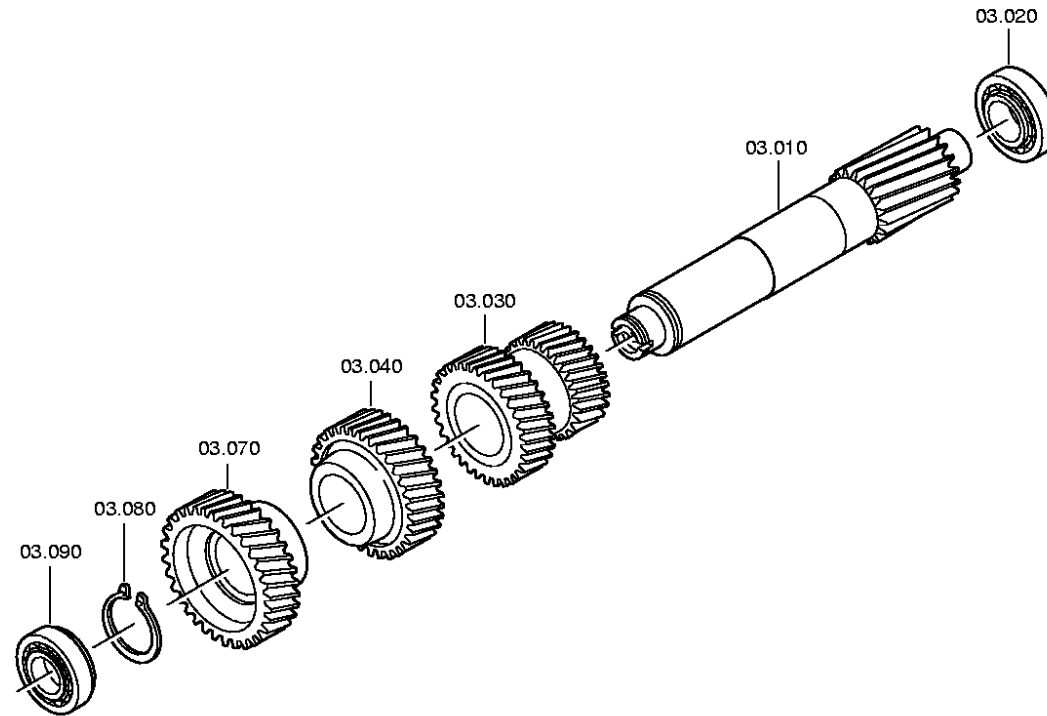
| Pos. | Material number | Name | VKF | Amend. no. | Amend. start | Prod. no. | Material feature / tech. info. | OTK | External material no. | ID | Weight | SP |
|------|-----------------|----------------|-----|------------|--------------|-----------|--------------------------------|-----|-----------------------|----|--------|----|
| 260 | 0630.501.051 | RETAINING RING | 1 | | 00.00.0000 | | 82X2,5 | | | 5 | 28 | |

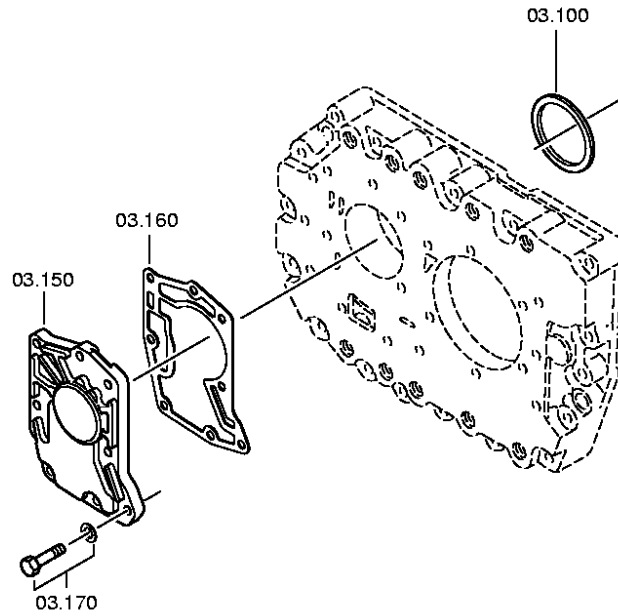
VKF Incidence factor

OTK Optional technical kit

ID Identification (output code)

SP Supplier plant







| Pos. | Material number | Name | VKF | Amend. no. | Amend. start | Prod. no. | Material feature / tech. info. | OTK | External material no. | ID | Weight | SP |
|------|-----------------|----------------|-----|------------------|--------------|------------|--|-----|-----------------------|----|--------|----|
| 10 | 1324.303.001 | LAYSHAFT | 1 | | 00.00.0000 | | | | | 5 | 0,000 | |
| 20 | 0750.117.083 | TAROLLBEARING | 1 | | 00.00.0000 | | WTB 50,8X95,2X27,7 | | | 3 | 0,000 | |
| 30 | 1324.303.015 | DOUBLE GEAR | 1 | | 00.00.0000 | | 1/2G | | | 5 | 0,000 | |
| 40 | 1324.303.003 | HELICAL GEAR | 1 | | 00.00.0000 | | 4G | | | 5 | 0,000 | |
| 70 | 1324.303.004 | HELICAL GEAR | 1 | | 00.00.0000 | | KONST. | | | 5 | 0,000 | |
| 80 | --- | RETAINING RING | 1 | | 00.00.0000 | | WTB -A= 2,00- 2,50(ABSTUFUNG:0,10MM) | | | 3 | 0,000 | |
| --- | 0630.501.073 | RETAINING RING | 1 | | 00.00.0000 | | 58X2,5 | | | 5 | 0,000 | |
| --- | 0630.501.074 | RETAINING RING | 1 | | 00.00.0000 | | 58X2,4 | | | 5 | 0,000 | |
| --- | 0630.501.076 | RETAINING RING | 1 | | 00.00.0000 | | 58X2,3 | | | 5 | 0,000 | |
| --- | 0630.501.104 | RETAINING RING | 1 | | 00.00.0000 | | 58X2,2 | | | 5 | 0,000 | |
| --- | 0630.501.140 | RETAINING RING | 1 | | 00.00.0000 | | 58X2,1 | | | 5 | 0,000 | |
| --- | 0630.501.040 | RETAINING RING | 1 | | 00.00.0000 | | 58X2 | | | 5 | 11 | |
| 90 | 0750.117.881 | TAROLLBEARING | 1 | C0100945 7E10 | 00.00.0000 | 00.00.0000 | WTB 40,0X85,0X33,0 | | | 3 | 0,000 | |
| 100 | --- | SHIM | 1 | | 00.00.0000 | | A= 1,50- 2,40(ABSTUFUNG:0,05MM) | | | 3 | 0,000 | |
| --- | 0730.003.436 | SHIM | 1 | | 00.00.0000 | | A=2,40 | | | 5 | 0,000 | |
| --- | 0730.004.737 | SHIM | 1 | | 00.00.0000 | | A=2,35 | | | 5 | 0,000 | |
| --- | 0730.004.736 | SHIM | 1 | | 00.00.0000 | | A=2,30 | | | 5 | 0,000 | |
| --- | 0730.004.735 | SHIM | 1 | | 00.00.0000 | | A=2,25 | | | 5 | 0,000 | |
| --- | 0730.004.734 | SHIM | 1 | | 00.00.0000 | | A=2,20 | | | 5 | 0,000 | |
| --- | 0730.004.733 | SHIM | 1 | | 00.00.0000 | | A=2,15 | | | 5 | 0,000 | |
| --- | 0730.004.732 | SHIM | 1 | | 00.00.0000 | | A=2,10 | | | 5 | 0,000 | |
| --- | 0730.004.731 | SHIM | 1 | | 00.00.0000 | | A=2,05 | | | 5 | 0,000 | |
| --- | 0730.002.934 | SHIM | 1 | | 00.00.0000 | | A=2,00 | | | 5 | 0,000 | |
| --- | 0730.003.435 | SHIM | 1 | | 00.00.0000 | | A=1,95 | | | 5 | 0,000 | |
| --- | 0730.002.935 | SHIM | 1 | | 00.00.0000 | | A=1,90 | | | 5 | 0,000 | |
| --- | 0730.003.434 | SHIM | 1 | | 00.00.0000 | | A=1,85 | | | 5 | 0,000 | |
| --- | 0730.002.936 | SHIM | 1 | | 00.00.0000 | | A=1,80 | | | 5 | 0,000 | |
| --- | 0730.003.433 | SHIM | 1 | | 00.00.0000 | | A=1,75 | | | 5 | 0,000 | |
| --- | 0730.002.937 | SHIM | 1 | | 00.00.0000 | | A=1,70 | | | 5 | 0,000 | |
| --- | 0730.003.432 | SHIM | 1 | | 00.00.0000 | | A=1,65 | | | 5 | 0,000 | |
| --- | 0730.002.938 | SHIM | 1 | | 00.00.0000 | | A=1,60 | | | 5 | 0,000 | |

VKF Incidence factor

OTK Optional technical kit

ID Identification (output code)

SP Supplier plant



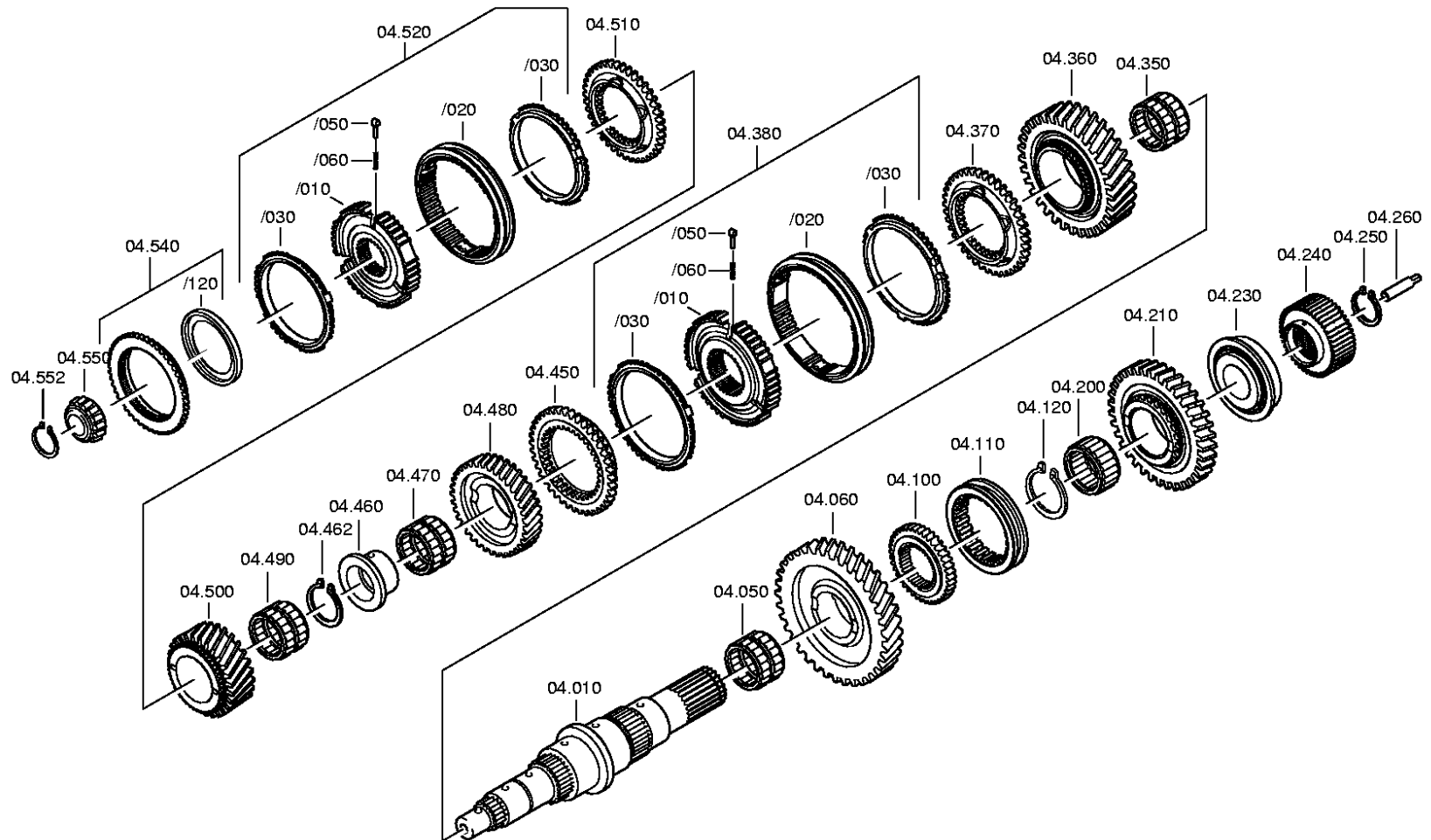
| Pos. | Material number | Name | VKF | Amend. no. | Amend. start | Prod. no. | Material feature / tech. info. | OTK | External material no. | ID | Weight | SP |
|------|-----------------|---------------|-----|------------------|--------------|------------|--------------------------------|-----|-----------------------|----|--------|----|
| --- | 0730.003.431 | SHIM | 1 | | 00.00.0000 | | A=1,55 | | | 5 | 0,000 | |
| --- | 0730.002.939 | SHIM | 1 | | 00.00.0000 | | A=1,50 | | | 5 | 0,000 | |
| 150 | --- | PUMP | 1 | C0100864 3E10 | 00.00.0000 | 00.00.0000 | WTB | | | 3 | 0,000 | |
| 160 | 0501.322.829 | GASKET | 1 | C0100575 0F10 | 00.00.0000 | 00.00.0000 | | | | 5 | 0,000 | |
| 170 | --- | HEXAGON BOLT | 8 | | 00.00.0000 | | M8X30 ISO4017/8.8 A3C | | | 3 | 0,000 | |
| --- | 0636.015.321 | HEXAGON BOLT | 8 | | 00.00.0000 | | M8X30 | | | 5 | 0,010 | |
| --- | 0630.302.090 | SPRING WASHER | 8 | | 00.00.0000 | | | | | 5 | 0,006 | |

VKF Incidence factor

OTK Optional technical kit

ID Identification (output code)

SP Supplier plant





| Pos. | Material number | Name | VKF | Amend. no. | Amend. start | Prod. no. | Material feature / tech. info. | OTK | External material no. | ID | Weight | SP |
|------|-----------------|----------------|-----|------------------|--------------|------------|--|-----|-----------------------|----|--------|----|
| 10 | 1324.304.005 | MAIN SHAFT | 1 | | 00.00.0000 | | E21 | | | 5 | 0,000 | |
| 50 | 0750.115.972 | NEEDLE CAGE | 1 | C0100447 8F10 | 00.00.0000 | 00.00.0000 | WTB 75,0X83,0X35,0 *R.G | | | 3 | 0,000 | |
| 60 | 1304.304.543 | HELICAL GEAR | 1 | | 00.00.0000 | | ENTHALT.IN 1304 304 425(0) | | | 5 | 0,000 | |
| 100 | 1324.304.037 | SLEEVE CARRIER | 1 | | 00.00.0000 | | | | | 5 | 0,000 | |
| 110 | 1304.304.444 | SLIDING SLEEVE | 1 | | 00.00.0000 | | 9S-109 KLAUE D=96 | | | 5 | 0,000 | |
| 120 | --- | RETAINING RING | 1 | | 00.00.0000 | | WTB -A= 2,40- 2,80(ABSTUFUNG:0,10MM) | | | 3 | 0,000 | |
| --- | 0630.501.195 | RETAINING RING | 1 | | 00.00.0000 | | 60X2,8 | | | 5 | 0,000 | |
| --- | 0630.501.194 | RETAINING RING | 1 | | 00.00.0000 | | 60X2,7 | | | 5 | 0,000 | |
| --- | 0630.501.197 | RETAINING RING | 1 | | 00.00.0000 | | 60X2,6 | | | 5 | 0,000 | |
| --- | 0630.531.141 | RETAINING RING | 1 | | 00.00.0000 | | 60X2,5 | | | 5 | 0,000 | |
| --- | 0630.501.067 | RETAINING RING | 1 | | 00.00.0000 | | 60X2,4 | | | 5 | 0,000 | |
| 200 | 0750.115.973 | NEEDLE CAGE | 1 | C0100447 9F10 | 00.00.0000 | 00.00.0000 | WTB 60,0X68,0X39,0 | | | 3 | 0,000 | |
| 210 | 1324.304.021 | HELICAL GEAR | 1 | Z0000378 9910 | 26.10.2009 | 26.10.2009 | RG 9S1110/9S1310 | | | 5 | 0,000 | |
| 230 | 0750.117.844 | TAROLLBEARING | 1 | | 00.00.0000 | | WTB 50,8X104,7X36,5 | | | 3 | 0,000 | |
| 240 | 1324.304.028 | SUN GEAR | 1 | C0100656 1F10 | 00.00.0000 | 00.00.0000 | 9 S 1310 TO | | | 5 | 0,000 | |
| 250 | --- | RETAINING RING | 1 | | 00.00.0000 | | WTB -A= 2,10- 3,20(ABSTUFUNG:0,05MM) | | | 3 | 0,000 | |
| --- | 0630.501.151 | RETAINING RING | 1 | | 00.00.0000 | | 50X3,2 | | | 5 | 0,000 | |
| --- | 0630.501.298 | RETAINING RING | 1 | | 00.00.0000 | | 50X3,15 | | | 5 | 0,000 | |
| --- | 0630.501.150 | RETAINING RING | 1 | | 00.00.0000 | | 50X3,1 | | | 5 | 0,000 | |
| --- | 0630.501.299 | RETAINING RING | 1 | | 00.00.0000 | | 50X3,05 | | | 5 | 0,000 | |
| --- | 0630.531.065 | RETAINING RING | 1 | | 00.00.0000 | | 50X3 | | | 5 | 16 | |
| --- | 0630.501.111 | RETAINING RING | 1 | | 00.00.0000 | | 50X2,95 | | | 5 | 0,000 | |
| --- | 0630.501.112 | RETAINING RING | 1 | | 00.00.0000 | | 50X2,9 | | | 5 | 0,000 | |
| --- | 0630.501.113 | RETAINING RING | 1 | | 00.00.0000 | | 50X2,85 | | | 5 | 0,000 | |
| --- | 0630.501.114 | RETAINING RING | 1 | | 00.00.0000 | | 50X2,8 | | | 5 | 0,000 | |
| --- | 0630.501.115 | RETAINING RING | 1 | | 00.00.0000 | | 50X2,75 | | | 5 | 0,000 | |
| --- | 0630.501.116 | RETAINING RING | 1 | | 00.00.0000 | | 50X2,7 | | | 5 | 0,000 | |
| --- | 0630.501.117 | RETAINING RING | 1 | | 00.00.0000 | | 50X2,65 | | | 5 | 0,000 | |

VKF Incidence factor

OTK Optional technical kit

ID Identification (output code)

SP Supplier plant



| Pos. | Material number | Name | VKF | Amend. no. | Amend. start | Prod. no. | Material feature / tech. info. | OTK | External material no. | ID | Weight | SP |
|------|-----------------|----------------|-----|------------------|--------------|------------|--|-----|-----------------------|----|--------|----|
| --- | 0630.501.118 | RETAINING RING | 1 | | 00.00.0000 | | 50X2,6 | | | 5 | 0,000 | |
| --- | 0630.501.160 | RETAINING RING | 1 | | 00.00.0000 | | 50X2,55 | | | 5 | 0,000 | |
| --- | 0630.531.064 | RETAINING RING | 1 | | 00.00.0000 | | 50X2,5 | | | 5 | 0,100 | |
| --- | 0630.501.159 | RETAINING RING | 1 | | 00.00.0000 | | 50X2,45 | | | 5 | 0,000 | |
| --- | 0630.501.148 | RETAINING RING | 1 | | 00.00.0000 | | 50X2,4 | | | 5 | 0,000 | |
| --- | 0630.501.294 | RETAINING RING | 1 | | 00.00.0000 | | 50X2,35 | | | 5 | 0,000 | |
| --- | 0630.501.147 | RETAINING RING | 1 | | 00.00.0000 | | 50X2,3 | | | 5 | 0,000 | |
| --- | 0630.501.295 | RETAINING RING | 1 | | 00.00.0000 | | 50X2,25 | | | 5 | 0,000 | |
| --- | 0630.501.146 | RETAINING RING | 1 | | 00.00.0000 | | 50X2,2 | | | 5 | 0,000 | |
| --- | 0630.501.296 | RETAINING RING | 1 | | 00.00.0000 | | 50X2,15 | | | 5 | 0,000 | |
| --- | 0630.501.145 | RETAINING RING | 1 | | 00.00.0000 | | 50X2,1 | | | 5 | 0,000 | |
| 260 | 1324.304.014 | PIPE | 1 | | 00.00.0000 | | E21 | | | 5 | 0,000 | |
| 350 | 0750.115.971 | NEEDLE CAGE | 2 | C0100448 0F10 | 00.00.0000 | 00.00.0000 | WTB 75,0X83,0X23,0 *1.G | | | 3 | 0,000 | |
| 360 | 1324.304.030 | HELICAL GEAR | 1 | Z0000455 0510 | 03.09.2009 | 03.09.2009 | KLAUE D=100 | | | 5 | 0,000 | |
| 370 | 1324.304.013 | CLUTCH BODY | 1 | | 00.00.0000 | | ZF BK131_O | | | 5 | 0,000 | |
| 380 | 1324.204.007 | SYNCHRONIZER | 1 | | 00.00.0000 | | KPL.1+2G | | | 3 | 0,000 | |
| /10 | 1304.304.591 | SYNCHROBODY | 1 | | 00.00.0000 | | ENTHALT.IN 1304 304 592(1) | | | 5 | 0,000 | |
| /20 | 1304.304.597 | SLIDING SLEEVE | 1 | | 00.00.0000 | | ENTHALT.IN 1304 304 596(1) | | | 5 | 0,000 | |
| /30 | 1268.304.594 | SYNCHRO RING | 2 | | 00.00.0000 | | ZFBK 131 | | | 5 | 0,000 | |
| /50 | 1297.304.436 | PRESSURE PIECE | 3 | | 00.00.0000 | | | | | 5 | 0,004 | |
| /60 | 0732.040.409 | COMPRSPRING | 3 | C0100731 7F10 | 00.00.0000 | 00.00.0000 | | | | 5 | 0,002 | |
| 450 | 1324.304.013 | CLUTCH BODY | 1 | | 00.00.0000 | | ZF BK131_O | | | 5 | 0,000 | |
| 460 | 1304.304.050 | BUSH | 1 | | 00.00.0000 | | 9S-90 | | | 5 | 0,000 | |
| 462 | --- | RETAINING RING | 1 | | 00.00.0000 | | WTB -A= 1,90- 2,40(ABSTUFUNG:0,10MM) | | | 3 | 0,000 | |
| --- | 0630.501.067 | RETAINING RING | 1 | | 00.00.0000 | | 60X2,4 | | | 5 | 0,000 | |
| --- | 0630.501.068 | RETAINING RING | 1 | | 00.00.0000 | | 60X2,3 | | | 5 | 0,000 | |
| --- | 0630.501.069 | RETAINING RING | 1 | | 00.00.0000 | | 60X2,2 | | | 5 | 0,000 | |
| --- | 0630.501.070 | RETAINING RING | 1 | | 00.00.0000 | | 60X2,1 | | | 5 | 0,000 | |
| --- | 0630.501.041 | RETAINING RING | 1 | | 00.00.0000 | | 60X2 | | | 5 | 0,010 | |
| --- | 0630.501.278 | RETAINING RING | 1 | | 00.00.0000 | | 60X1,9 | | | 5 | 0,000 | |

VKF Incidence factor

OTK Optional technical kit

ID Identification (output code)

SP Supplier plant



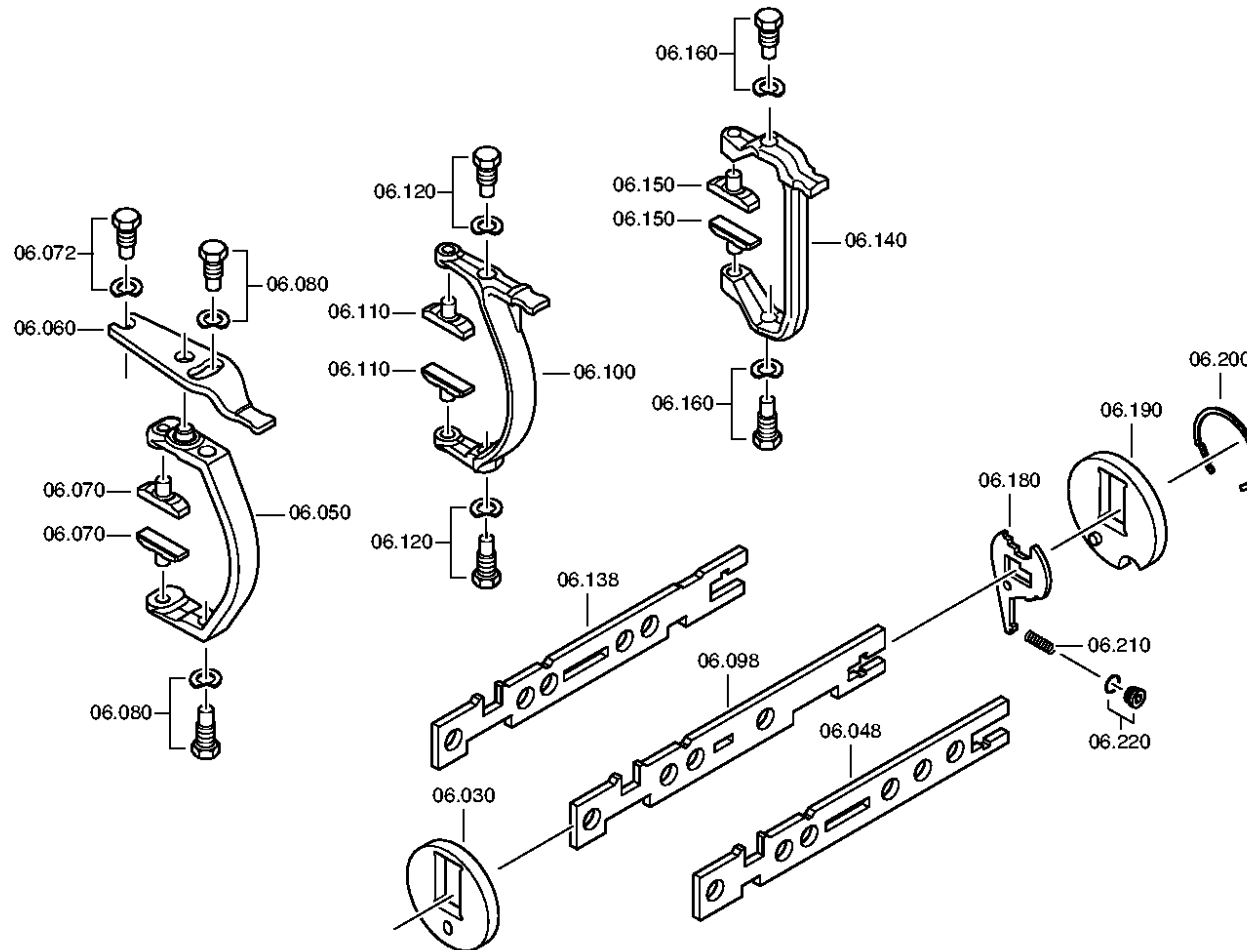
| Pos. | Material number | Name | VKF | Amend. no. | Amend. start | Prod. no. | Material feature / tech. info. | OTK | External material no. | ID | Weight | SP |
|------|-----------------|----------------|-----|------------------|--------------|------------|--|-----|-----------------------|----|--------|----|
| 470 | 0750.115.970 | NEEDLE CAGE | 1 | C0100448 1F10 | 00.00.0000 | 00.00.0000 | WTB 75,0X83,0X40,0 | | | 3 | 0,000 | |
| 480 | 1324.304.015 | HELICAL GEAR | 1 | | 00.00.0000 | | 2G | | | 5 | 0,000 | |
| 490 | 0750.115.969 | NEEDLE CAGE | 2 | C0100448 2F10 | 00.00.0000 | 00.00.0000 | WTB 60,0X68,0X25,0 | | | 3 | 0,000 | |
| 500 | 1324.304.003 | HELICAL GEAR | 1 | | 00.00.0000 | | 4G | | | 5 | 0,000 | |
| 510 | 1324.304.011 | CLUTCH BODY | 1 | | 00.00.0000 | | | | | 5 | 0,000 | |
| 520 | 1324.204.008 | SYNCHRONIZER | 1 | | 00.00.0000 | | KPL.3+4G | | | 3 | 0,000 | |
| /10 | 1324.304.006 | SYNCHROBODY | 1 | | 00.00.0000 | | E21 IN 1304 304 650(0) | | | 5 | 0,000 | |
| /20 | 1311.304.103 | SLIDING SLEEVE | 1 | | 00.00.0000 | | ZF-BK119 | | | 5 | 0,000 | |
| /30 | 1311.304.255 | SYNCHRO RING | 2 | | 00.00.0000 | | ZF BK119 | | | 5 | 0,000 | |
| /50 | 1297.304.436 | PRESSURE PIECE | 3 | | 00.00.0000 | | | | | 5 | 0,004 | |
| /60 | 0732.040.409 | COMPRSPRING | 3 | C0100731 7F10 | 00.00.0000 | 00.00.0000 | | | | 5 | 0,002 | |
| 540 | 1324.204.009 | CLUTCH BODY | 1 | | 00.00.0000 | | KPL. | | | 3 | 0,000 | |
| /120 | 0501.314.108 | OIL DAM | 1 | | 00.00.0000 | | 79X105,1X5,3*CFW | | | 5 | 0,000 | |
| 550 | 0750.117.232 | TAROLLBEARING | 1 | | 00.00.0000 | | WTB 42,0X40,3 | | | 3 | 0,000 | |
| 552 | --- | RETAINING RING | 1 | | 00.00.0000 | | WTB -A= 2,00- 2,50(ABSTUFUNG:0,10MM) | | | 3 | 0,000 | |
| --- | 0630.531.052 | RETAINING RING | 1 | | 00.00.0000 | | 42X2,5 | | | 5 | 10 | |
| --- | 0630.501.120 | RETAINING RING | 1 | | 00.00.0000 | | 42X2,4 | | | 5 | 0,000 | |
| --- | 0630.501.156 | RETAINING RING | 1 | | 00.00.0000 | | 42X2,3 | | | 5 | 0,000 | |
| --- | 0630.501.210 | RETAINING RING | 1 | | 00.00.0000 | | 42X2,2 | | | 5 | 0,000 | |
| --- | 0630.501.208 | RETAINING RING | 1 | | 00.00.0000 | | 42X2,1 | | | 5 | 0,000 | |
| --- | 0630.501.157 | RETAINING RING | 1 | | 00.00.0000 | | 42X2,0 | | | 5 | 0,000 | |

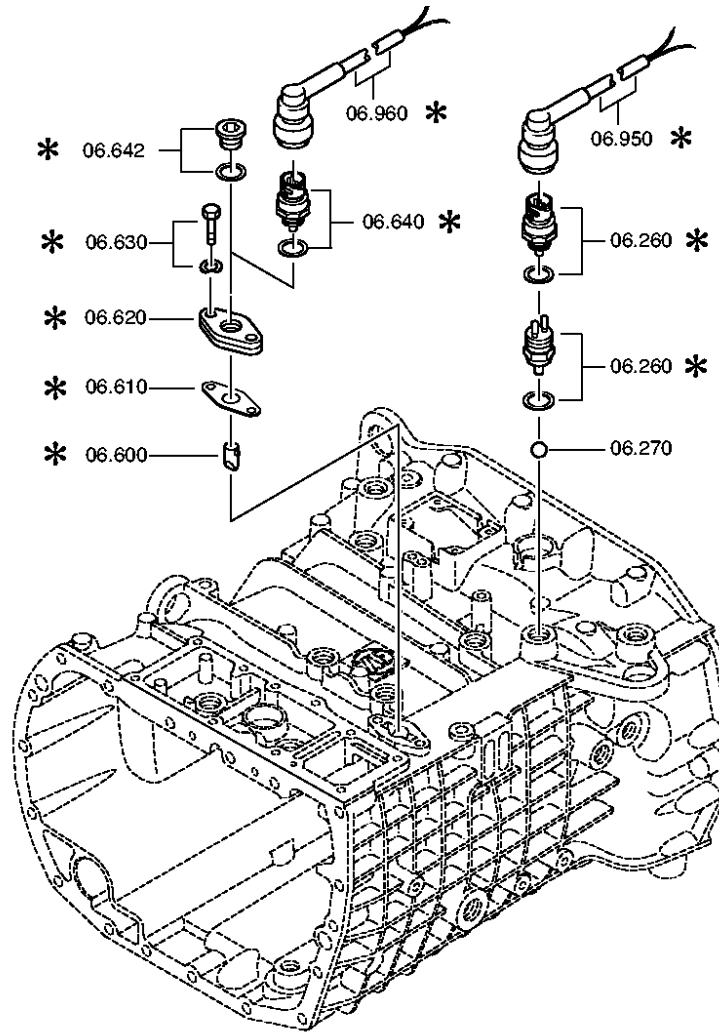
VKF Incidence factor

OTK Optional technical kit

ID Identification (output code)

SP Supplier plant







| Pos. | Material number | Name | VKF | Amend. no. | Amend. start | Prod. no. | Material feature / tech. info. | OTK | External material no. | ID | Weight | SP |
|------|-----------------|-------------------|-----|------------------|--------------|------------|--------------------------------|-----|-----------------------|----|--------|----|
| 30 | 1304.306.089 | BEARING PLATE | 1 | | 00.00.0000 | | | | | 5 | 0,000 | |
| 48 | 1324.306.027 | GEAR SHIFT RAIL | 1 | C0100368 7E10 | 00.00.0000 | 00.00.0000 | 3/4 | | | 5 | 0,000 | |
| 50 | 1324.306.031 | GEAR SHIFT FORK | 1 | C0100368 7E10 | 00.00.0000 | 00.00.0000 | 3/4 WITH TOGGEL | | | 5 | 0,000 | |
| 60 | 1324.306.040 | RELAY LEVER | 1 | | 00.00.0000 | | | | | 5 | 0,000 | |
| 70 | 1304.306.107 | SLIDING PAD | 2 | C0100503 9E10 | 00.00.0000 | 00.00.0000 | | | | 5 | 0,000 | |
| 72 | --- | ARTICULATION BOLT | 1 | | 00.00.0000 | | M18X1,5 SK6 | | | 3 | 0,000 | |
| --- | 1304.306.108 | ARTICULATION BOLT | 1 | | 00.00.0000 | | M18X1,5 IN 1290 306 206(1) | | | 5 | 0,000 | |
| --- | 0730.300.093 | SPRING WASHER | 1 | | 00.00.0000 | | | | | 5 | 0,000 | |
| 80 | --- | ARTICULATION BOLT | 2 | | 00.00.0000 | | M18X1,5 SK6 | | | 3 | 0,000 | |
| --- | 1304.306.108 | ARTICULATION BOLT | 2 | | 00.00.0000 | | M18X1,5 IN 1290 306 206(1) | | | 5 | 0,000 | |
| --- | 0730.300.093 | SPRING WASHER | 2 | | 00.00.0000 | | | | | 5 | 0,000 | |
| 98 | 1324.306.026 | GEAR SHIFT RAIL | 1 | C0100368 7E10 | 00.00.0000 | 00.00.0000 | 1/2 | | | 5 | 0,000 | |
| 100 | 1324.306.013 | GEAR SHIFT FORK | 1 | | 00.00.0000 | | 1/2*O.UMLLENKUNG | | | 5 | 0,000 | |
| 110 | 1290.306.066 | SLIDING PAD | 2 | | 00.00.0000 | | | | | 5 | 0,037 | |
| 120 | --- | ARTICULATION BOLT | 2 | | 00.00.0000 | | M18X1,5 SK6 | | | 3 | 0,000 | |
| --- | 1304.306.108 | ARTICULATION BOLT | 2 | | 00.00.0000 | | M18X1,5 IN 1290 306 206(1) | | | 5 | 0,000 | |
| --- | 0730.300.093 | SPRING WASHER | 2 | | 00.00.0000 | | | | | 5 | 0,000 | |
| 138 | 1324.306.025 | GEAR SHIFT RAIL | 1 | C0100368 7E10 | 00.00.0000 | 00.00.0000 | R/C W/O INVERSE | | | 5 | 0,000 | |
| 140 | 1324.306.039 | GEAR SHIFT FORK | 1 | | 00.00.0000 | | | | | 5 | 0,000 | |
| 150 | 1316.306.015 | SLIDING PAD | 2 | C0100962 7E10 | 00.00.0000 | 00.00.0000 | | | | 5 | 0,000 | |
| 160 | --- | ARTICULATION BOLT | 2 | | 00.00.0000 | | M18X1,5 SK6 | | | 3 | 0,000 | |

VKF Incidence factor

OTK Optional technical kit

ID Identification (output code)

SP Supplier plant



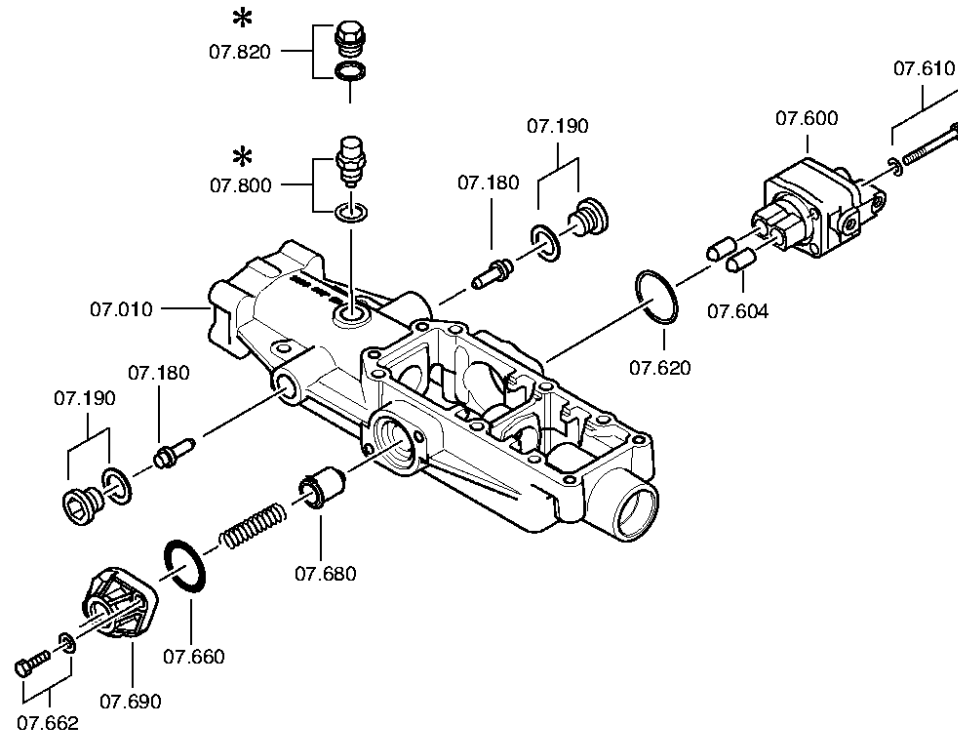
| Pos. | Material number | Name | VKF | Amend. no. | Amend. start | Prod. no. | Material feature / tech. info. | OTK | External material no. | ID | Weight | SP |
|------|-----------------|-------------------|-----|------------------|--------------|------------|-----------------------------------|-----|-----------------------|----|--------|----|
| --- | 1304.306.108 | ARTICULATION BOLT | 2 | | 00.00.0000 | | M18X1,5 IN 1290 306 206(1) | | | 5 | 0,000 | |
| --- | 0730.300.093 | SPRING WASHER | 2 | | 00.00.0000 | | | | | 5 | 0,000 | |
| 180 | --- | LOCKING LEVER | 1 | C0100468 3E10 | 00.00.0000 | 00.00.0000 | WTB | | | 3 | 0,000 | |
| 190 | 1304.306.090 | BEARING PLATE | 1 | | 00.00.0000 | | 9/16 S 90 HINTEN WAAGRECHT | | | 5 | 0,000 | |
| 200 | 0730.300.430 | SNAP RING | 1 | | 00.00.0000 | | | | | 5 | 0,000 | |
| 210 | 0732.041.374 | COMPRSPRING | 1 | | 00.00.0000 | | | | | 5 | 0,000 | |
| 220 | --- | SCREW PLUG | 1 | | 00.00.0000 | | M14X1,5 * 35N.M* DICHTRING | | | 3 | 0,000 | |
| --- | 0636.302.068 | SCREW PLUG | 1 | C0100009 1C10 | 00.00.0000 | 00.00.0000 | M14X1,5 | | | 5 | 15 | |
| --- | 0730.008.057 | SEALING RING | 1 | C0100009 1C10 | 00.00.0000 | 00.00.0000 | A=1,50 IN 0730 008 054(2) | | | 5 | 0,000 | |
| 260 | --- | SWITCH | 1 | | 00.00.0000 | | SCHL*45N.M*DICHTRING *BAJONETT | | | 3 | 0,000 | |
| --- | 0501.210.058 | SWITCH | 1 | | 00.00.0000 | | KPL. | | | 5 | 0,000 | |
| --- | 0634.801.062 | SEALING RING | 1 | | 00.00.0000 | | 18X24 | | | 5 | 0,001 | |
| 270 | 0635.460.024 | BALL | 1 | | 00.00.0000 | | 13 | | | 5 | 0,000 | |
| 600 | 1304.207.002 | PIN | 1 | | 00.00.0000 | | KPL. | | | 3 | 0,000 | |
| 610 | 1268.307.170 | GASKET | 1 | | 00.00.0000 | | ENTHALT.IN 1290 306 272(2) | | | 5 | 0,000 | |
| 620 | 1304.307.083 | PLATE | 1 | | 00.00.0000 | | ENTHALT.IN 1304 307 082(2) | | | 5 | 0,000 | |
| 630 | --- | HEXAGON BOLT | 2 | | 00.00.0000 | | M8X28 ISO4017/8.8 A3C | | | 3 | 0,000 | |
| --- | 0636.015.411 | HEXAGON BOLT | 2 | | 00.00.0000 | | M8X28 | | | 5 | 0,000 | |
| --- | 0630.302.090 | SPRING WASHER | 2 | | 00.00.0000 | | | | | 5 | 0,006 | |
| 640 | --- | SWITCH | 1 | C0100653 0E10 | 00.00.0000 | 00.00.0000 | OEFF*45N.M*DICHTRING *BAJONETT | | | 3 | 0,000 | |
| --- | 0501.216.474 | SWITCH | 1 | | 00.00.0000 | | KPL. | | | 5 | 0,050 | |
| --- | 0634.801.062 | SEALING RING | 1 | | 00.00.0000 | | 18X24 | | | 5 | 0,001 | |

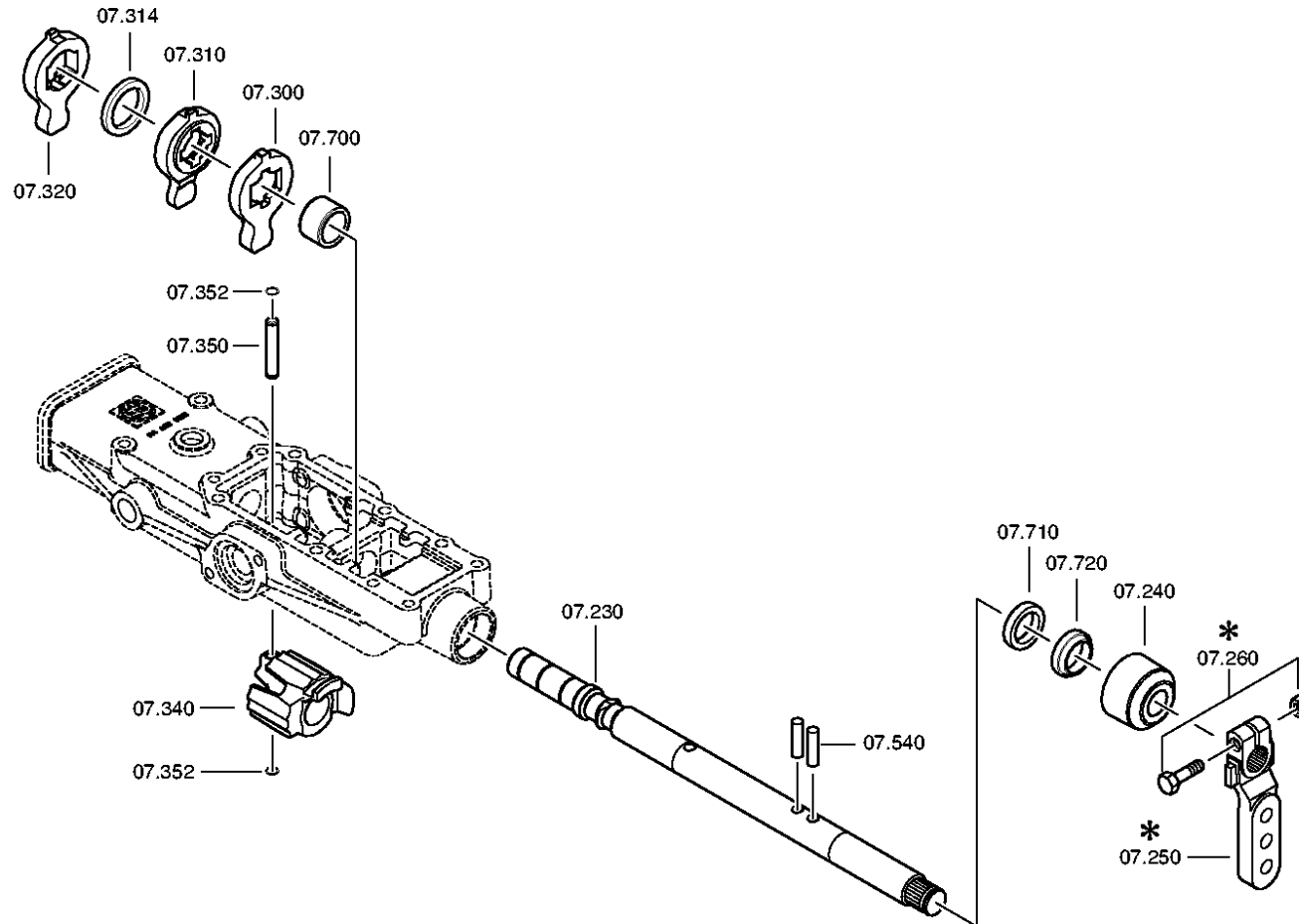
VKF Incidence factor

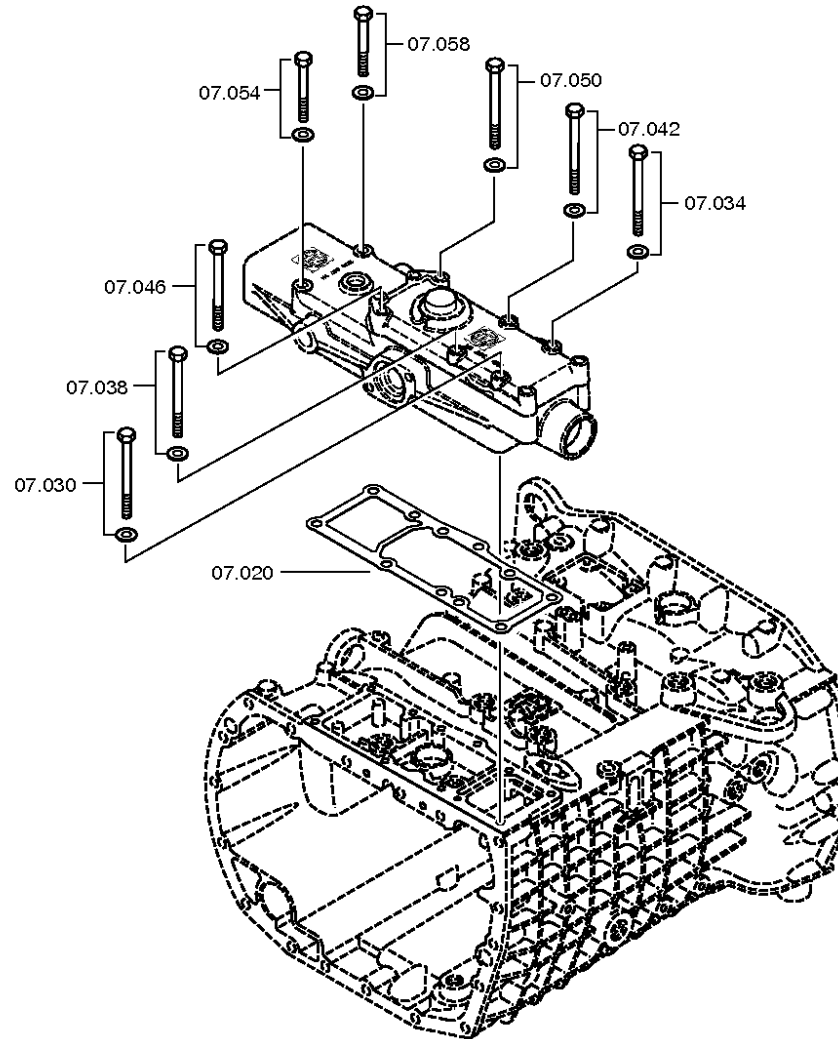
OTK Optional technical kit

ID Identification (output code)

SP Supplier plant









| Pos. | Material number | Name | VKF | Amend. no. | Amend. start | Prod. no. | Material feature / tech. info. | OTK | External material no. | ID | Weight | SP |
|------|-----------------|--------------------|-----|------------------|--------------|------------|--------------------------------|-----|-----------------------|----|--------|----|
| 10 | 1324.307.207 | GEAR SHIFT HOUSING | 1 | Z0000389 4110 | 06.04.2009 | 06.04.2009 | | | | 5 | 0,000 | |
| 20 | 0501.324.626 | GASKET | 1 | | 00.00.0000 | | | | | 5 | 0,000 | |
| 30 | --- | HEXAGON BOLT | 1 | C0100090 0F10 | 00.00.0000 | 00.00.0000 | M8X100 ISO4014/8.8 A3C | | | 3 | 0,000 | |
| --- | 0636.010.555 | HEXAGON BOLT | 1 | | 00.00.0000 | | M8X100 | | | 5 | 0,000 | |
| --- | 0630.001.075 | WASHER | 1 | | 00.00.0000 | | | | | 5 | 0,002 | |
| 34 | --- | HEXAGON BOLT | 1 | C0100090 0F10 | 00.00.0000 | 00.00.0000 | M8X100 ISO4014/8.8 A3C | | | 3 | 0,000 | |
| --- | 0636.010.555 | HEXAGON BOLT | 1 | | 00.00.0000 | | M8X100 | | | 5 | 0,000 | |
| --- | 0630.001.075 | WASHER | 1 | | 00.00.0000 | | | | | 5 | 0,002 | |
| 38 | --- | HEXAGON BOLT | 1 | C0100090 0F10 | 00.00.0000 | 00.00.0000 | M8X100 ISO4014/8.8 A3C | | | 3 | 0,000 | |
| --- | 0636.010.555 | HEXAGON BOLT | 1 | | 00.00.0000 | | M8X100 | | | 5 | 0,000 | |
| --- | 0630.001.075 | WASHER | 1 | | 00.00.0000 | | | | | 5 | 0,002 | |
| 42 | --- | HEXAGON BOLT | 1 | C0100090 0F10 | 00.00.0000 | 00.00.0000 | M8X100 ISO4014/8.8 A3C | | | 3 | 0,000 | |
| --- | 0636.010.555 | HEXAGON BOLT | 1 | | 00.00.0000 | | M8X100 | | | 5 | 0,000 | |
| --- | 0630.001.075 | WASHER | 1 | | 00.00.0000 | | | | | 5 | 0,002 | |
| 46 | --- | HEXAGON BOLT | 1 | C0100090 0F10 | 00.00.0000 | 00.00.0000 | M8X100 ISO4014/8.8 A3C | | | 3 | 0,000 | |
| --- | 0636.010.555 | HEXAGON BOLT | 1 | | 00.00.0000 | | M8X100 | | | 5 | 0,000 | |
| --- | 0630.001.075 | WASHER | 1 | | 00.00.0000 | | | | | 5 | 0,002 | |
| 50 | --- | HEXAGON BOLT | 1 | C0100090 0F10 | 00.00.0000 | 00.00.0000 | M8X100 ISO4014/8.8 A3C | | | 3 | 0,000 | |
| --- | 0636.010.555 | HEXAGON BOLT | 1 | | 00.00.0000 | | M8X100 | | | 5 | 0,000 | |
| --- | 0630.001.075 | WASHER | 1 | | 00.00.0000 | | | | | 5 | 0,002 | |
| 54 | --- | HEXAGON BOLT | 1 | C0100090 0F10 | 00.00.0000 | 00.00.0000 | M8X75 ISO4014/8.8 A3C | | | 3 | 0,000 | |
| --- | 0636.010.540 | HEXAGON BOLT | 1 | | 00.00.0000 | | M8X75 | | | 5 | 0,030 | |
| --- | 0630.001.075 | WASHER | 1 | | 00.00.0000 | | | | | 5 | 0,002 | |
| 58 | --- | HEXAGON BOLT | 1 | C0100090 0F10 | 00.00.0000 | 00.00.0000 | M8X75 ISO4014/8.8 A3C | | | 3 | 0,000 | |
| --- | 0636.010.540 | HEXAGON BOLT | 1 | | 00.00.0000 | | M8X75 | | | 5 | 0,030 | |

VKF Incidence factor

OTK Optional technical kit

ID Identification (output code)

SP Supplier plant



| Pos. | Material number | Name | VKF | Amend. no. | Amend. start | Prod. no. | Material feature / tech. info. | OTK | External material no. | ID | Weight | SP |
|------|-----------------|------------------|-----|------------------|--------------|------------|--------------------------------|-----|-----------------------|----|--------|----|
| --- | 0630.001.075 | WASHER | 1 | | 00.00.0000 | | | | | 5 | 0,002 | |
| 180 | 1346.307.020 | BOLT | 2 | | 00.00.0000 | | | | | 5 | 0,000 | |
| 190 | --- | SCREW PLUG | 2 | | 00.00.0000 | | M18X1,5 * 35N.M* DICHTRING | | | 3 | 0,000 | |
| --- | 0636.302.021 | SCREW PLUG | 2 | | 00.00.0000 | | M18X1,5 | | | 5 | 0,090 | |
| --- | 0634.801.062 | SEALING RING | 2 | | 00.00.0000 | | 18X24 | | | 5 | 0,001 | |
| 230 | 1324.307.134 | GEAR SHIFT SHAFT | 1 | C0100872 1E10 | 00.00.0000 | 00.00.0000 | WL W1 | | | 5 | 0,000 | |
| 240 | 1238.307.411 | PROTECTING CAP | 1 | | 00.00.0000 | | | | | 5 | 0,000 | |
| 250 | 0637.510.211 | PLUG | 1 | | 00.00.0000 | | | | | 5 | 0,000 | |
| 300 | 1324.307.102 | DRIVER | 1 | | 00.00.0000 | | 3/4 GEAR | | | 5 | 0,000 | |
| 310 | 1324.307.073 | DRIVER | 1 | | 00.00.0000 | | 1/2 GANG | | | 5 | 0,000 | |
| 314 | 0730.113.437 | RING | 1 | | 00.00.0000 | | | | | 5 | 0,000 | |
| 320 | 1324.307.074 | DRIVER | 1 | | 00.00.0000 | | | | | 5 | 0,000 | |
| 340 | 1324.307.116 | DETENT PART | 1 | C0100872 1E10 | 00.00.0000 | 00.00.0000 | WB1 | | | 5 | 0,000 | |
| 350 | 0731.201.767 | PIN | 1 | | 00.00.0000 | | | | | 5 | 0,000 | |
| 352 | 0630.513.041 | SNAP RING | 2 | | 00.00.0000 | | | | | 5 | 0,000 | |
| 540 | 0731.201.765 | CYLINDRICAL PIN | 2 | | 00.00.0000 | | | | | 5 | 0,000 | |
| 600 | 6038.202.045 | CUT-OFF VALVE | 1 | | 00.00.0000 | | KPL.H-H*ABLUFTDROSSEL 2,50 | | | 3 | 0,000 | |
| 604 | 0501.209.188 | BALL ROLLER | 2 | | 00.00.0000 | | KPL. | | | 5 | 0,000 | |
| 610 | --- | HEXAGON BOLT | 4 | | 00.00.0000 | | M8X65 ISO4014/8.8 A3C | | | 3 | 0,000 | |
| --- | 0636.010.575 | HEXAGON BOLT | 4 | | 00.00.0000 | | M8X65 | | | 5 | 0,000 | |
| --- | 0630.001.075 | WASHER | 4 | | 00.00.0000 | | | | | 5 | 0,002 | |
| 620 | 0634.313.505 | O-RING | 1 | | 00.00.0000 | | 42X3 | | | 5 | 0,000 | |
| 660 | 0634.303.332 | O-RING | 1 | | 00.00.0000 | | 32X4 | | | 5 | 0,002 | |
| 662 | --- | HEXAGON BOLT | 2 | | 00.00.0000 | | M8X30 ISO4017/8.8 A3C | | | 3 | 0,000 | |
| --- | 0636.015.321 | HEXAGON BOLT | 2 | | 00.00.0000 | | M8X30 | | | 5 | 0,010 | |
| --- | 0630.001.075 | WASHER | 2 | | 00.00.0000 | | | | | 5 | 0,002 | |
| 680 | 0501.314.501 | STOP PIN | 1 | | 00.00.0000 | | | | | 5 | 0,000 | |
| 690 | 1304.307.331 | COVER | 1 | | 00.00.0000 | | ENTHALT.IN 1304 307 329(2) | | | 5 | 0,000 | |
| 700 | 0730.260.330 | BEARING BUSH | 1 | | 00.00.0000 | | A=20,00 IN 0730 260 546(2) | | | 5 | 0,000 | |
| 710 | --- | SHAFT SEAL | 1 | | 00.00.0000 | | WTB | | | 3 | 0,000 | |

VKF Incidence factor

OTK Optional technical kit

ID Identification (output code)

SP Supplier plant



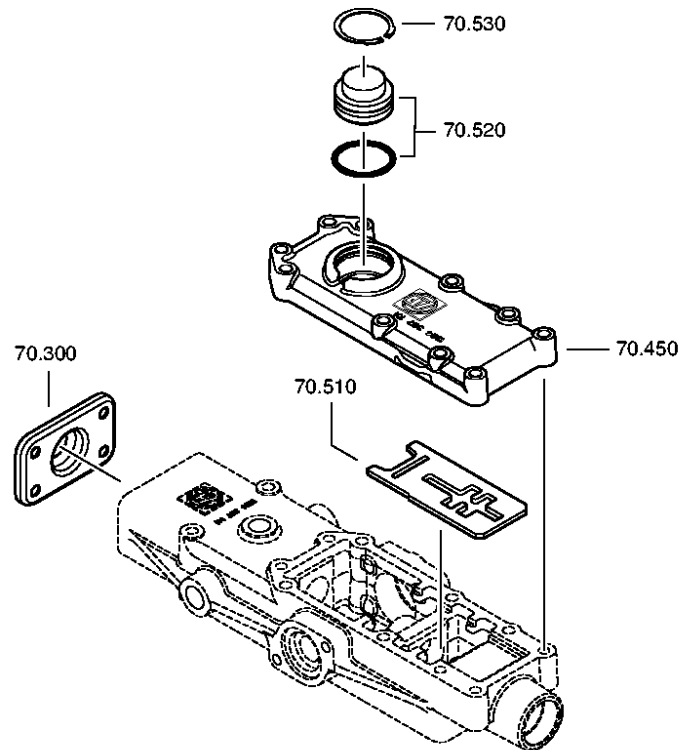
| Pos. | Material number | Name | VKF | Amend. no. | Amend. start | Prod. no. | Material feature / tech. info. | OTK | External material no. | ID | Weight | SP |
|------|-----------------|----------------|-----|------------|--------------|-----------|--------------------------------|-----|-----------------------|----|--------|----|
| --- | 0634.300.302 | SHAFT SEAL | 1 | | 00.00.0000 | | 25X35X7 | | | 5 | 0,000 | |
| --- | 0734.300.196 | SHAFT SEAL | 1 | | 00.00.0000 | | 25X35X7 FA.CFW | | | 5 | 0,000 | |
| 720 | 0634.307.367 | SCRAPER | 1 | | 00.00.0000 | | | | | 5 | 0,009 | |
| 800 | --- | DETENT PLUNGER | 1 | | 00.00.0000 | | 153N*50N.M*90GRAD*AUSF. C | | | 3 | 0,000 | |
| --- | 1304.207.059 | DETENT PLUNGER | 1 | | 00.00.0000 | | KPL. *153 N | | | 3 | 0,000 | |
| --- | 0730.008.604 | SEALING RING | 1 | | 00.00.0000 | | A16X22 | | | 5 | 0,000 | |

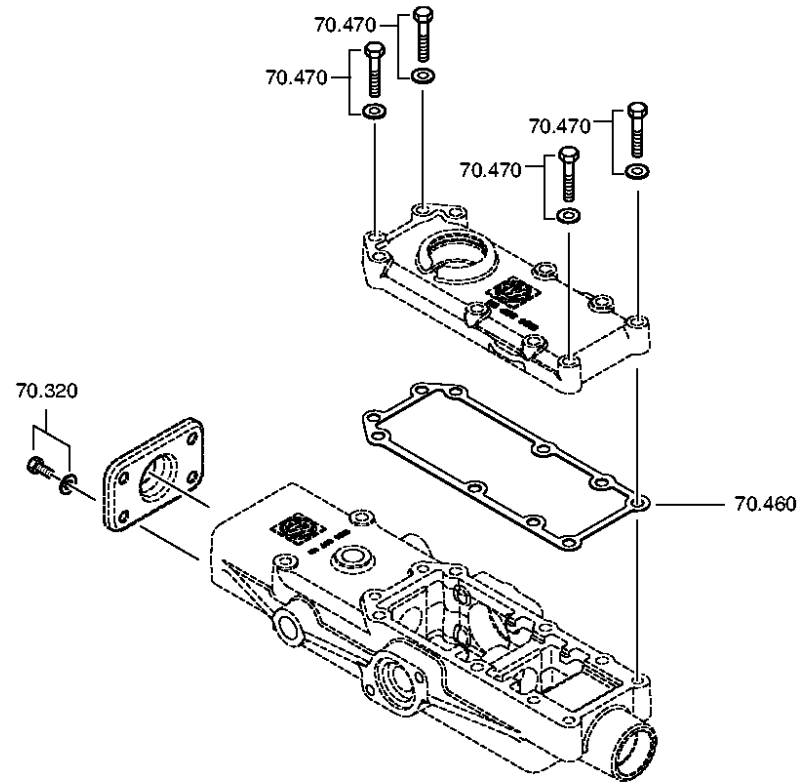
VKF Incidence factor

OTK Optional technical kit

ID Identification (output code)

SP Supplier plant







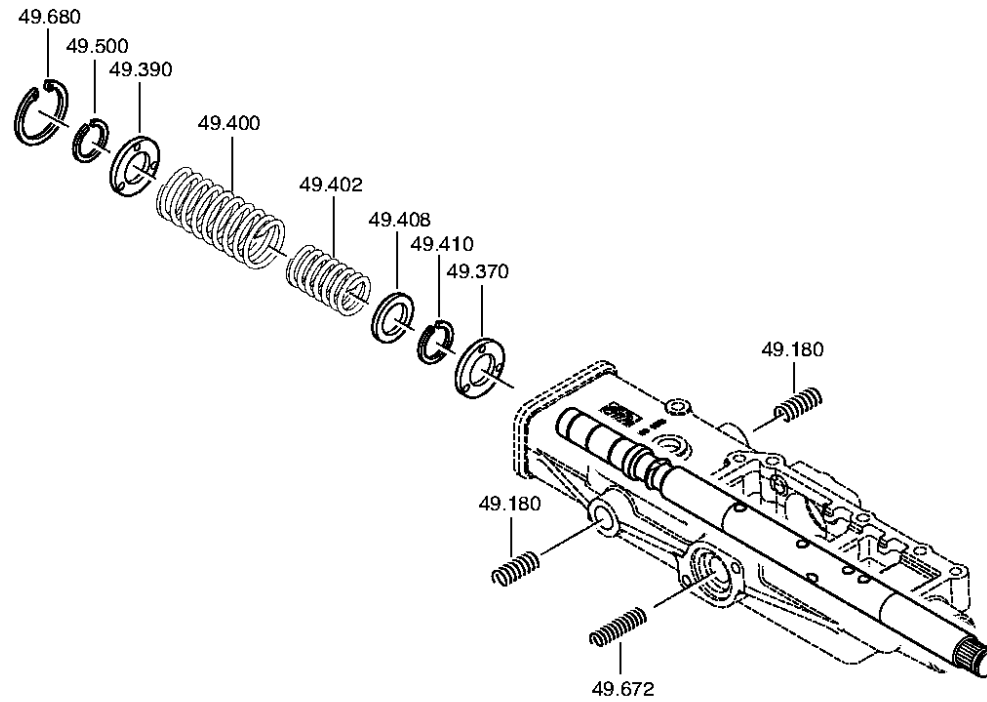
| Pos. | Material number | Name | VKF | Amend. no. | Amend. start | Prod. no. | Material feature / tech. info. | OTK | External material no. | ID | Weight | SP |
|------|-----------------|--------------------|-----|------------------|--------------|------------|--------------------------------|-----|-----------------------|----|--------|----|
| 300 | 1341.307.093 | COVER | 1 | C0100768 9E10 | 00.00.0000 | 00.00.0000 | | | | 5 | 0,000 | |
| 320 | --- | HEXAGON BOLT | 4 | C0100714 7E10 | 00.00.0000 | 00.00.0000 | M8X20 ISO4017/8.8 A3C | | | 3 | 0,000 | |
| --- | 0636.015.299 | HEXAGON BOLT | 4 | | 00.00.0000 | | M8X20 | | | 5 | 0,010 | |
| --- | 0630.001.075 | WASHER | 4 | | 00.00.0000 | | | | | 5 | 0,002 | |
| 450 | 1324.307.149 | COVER | 1 | | 00.00.0000 | | H-H MIT RASTE | | | 5 | 0,000 | |
| 460 | 1324.307.082 | GASKET | 1 | | 00.00.0000 | | E21 | | | 5 | 0,000 | |
| 470 | --- | HEXAGON BOLT | 2 | | 00.00.0000 | | M8X40 ISO4017/8.8 A3C | | | 3 | 0,000 | |
| --- | 0636.015.392 | HEXAGON BOLT | 2 | | 00.00.0000 | | M8X40 | | | 5 | 0,000 | |
| --- | 0630.001.075 | WASHER | 2 | | 00.00.0000 | | | | | 5 | 0,002 | |
| 480 | --- | HEXAGON BOLT | 2 | | 00.00.0000 | | M8X40 ISO4017/8.8 A3C | | | 3 | 0,000 | |
| --- | 0636.015.392 | HEXAGON BOLT | 2 | | 00.00.0000 | | M8X40 | | | 5 | 0,000 | |
| --- | 0630.001.075 | WASHER | 2 | | 00.00.0000 | | | | | 5 | 0,002 | |
| 510 | 1324.307.194 | SHIFTING INTERLOCK | 1 | | 00.00.0000 | | | | | 5 | 0,000 | |
| 520 | 0501.318.597 | DETENT | 1 | C0100338 4F10 | 00.00.0000 | 00.00.0000 | | | | 5 | 0,000 | |
| 530 | 0630.532.130 | V-RING | 1 | | 00.00.0000 | | | | | 5 | 0,000 | |

VKF Incidence factor

OTK Optional technical kit

ID Identification (output code)

SP Supplier plant





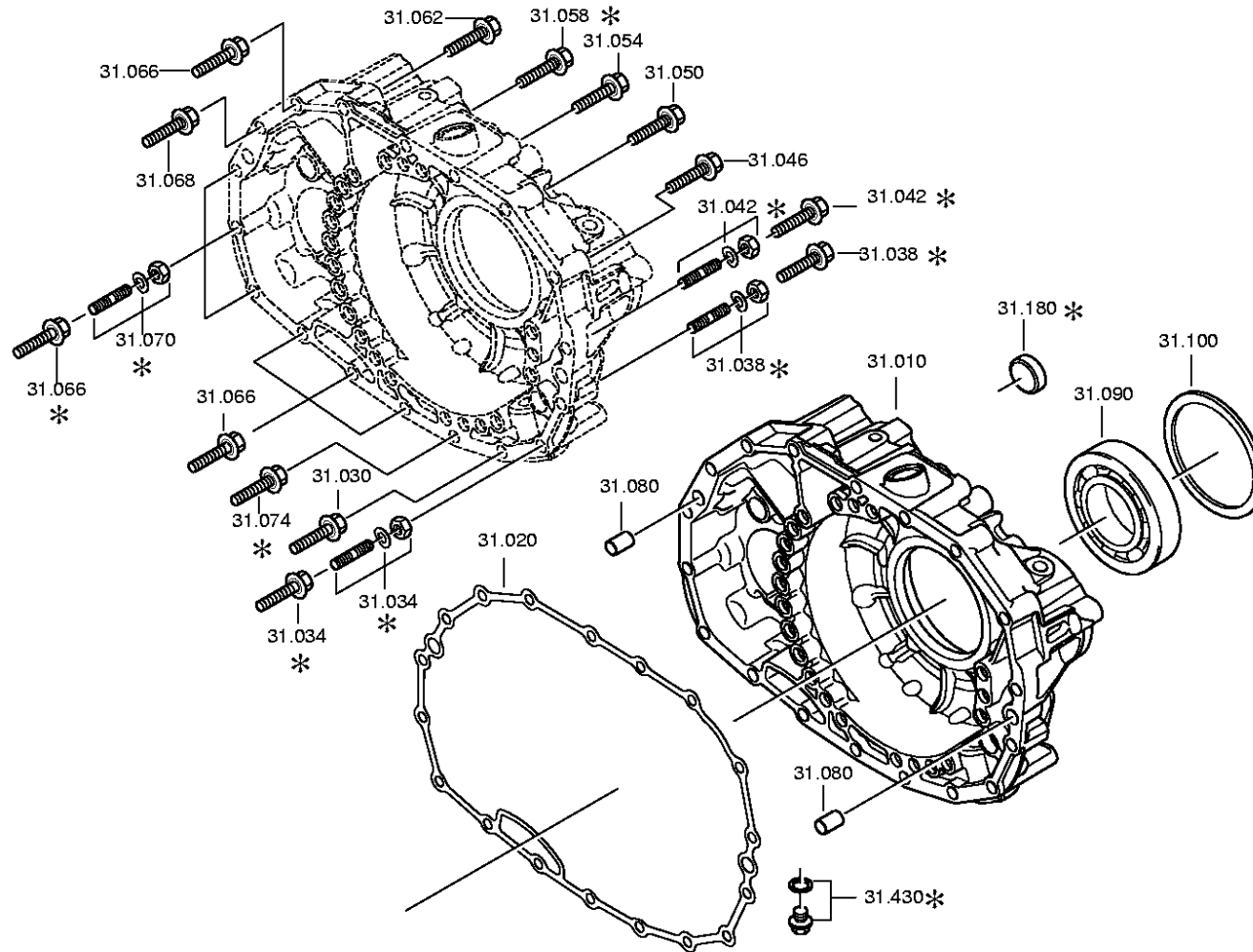
| Pos. | Material number | Name | VKF | Amend. no. | Amend. start | Prod. no. | Material feature / tech. info. | OTK | External material no. | ID | Weight | SP |
|------|-----------------|----------------|-----|------------|--------------|-----------|--------------------------------|-----|-----------------------|----|--------|----|
| 180 | 0732.041.500 | COMPRSPRING | 2 | | 00.00.0000 | | | | | 5 | 0,000 | |
| 370 | 0730.104.083 | WASHER | 1 | | 00.00.0000 | | A=2,00 IN 0730 104 527(2) | | | 5 | 0,000 | |
| 390 | 0730.104.083 | WASHER | 1 | | 00.00.0000 | | A=2,00 IN 0730 104 527(2) | | | 5 | 0,000 | |
| 400 | 0732.040.630 | COMPRSPRING | 1 | | 00.00.0000 | | | | | 5 | 0,000 | |
| 402 | 1204.307.334 | COMPRSPRING | 1 | | 00.00.0000 | | | | | 5 | 0,000 | |
| 408 | 0730.100.214 | WASHER | 1 | | 00.00.0000 | | | | | 5 | 0,000 | |
| 410 | 0630.532.138 | V-RING | 1 | | 00.00.0000 | | | | | 5 | 0,000 | |
| 500 | 0630.532.138 | V-RING | 1 | | 00.00.0000 | | | | | 5 | 0,000 | |
| 672 | 0732.040.819 | COMPRSPRING | 1 | | 00.00.0000 | | | | | 5 | 0,000 | |
| 680 | 0630.502.022 | RETAINING RING | 1 | | 00.00.0000 | | 40X1,75 | | | 5 | 4,800 | |

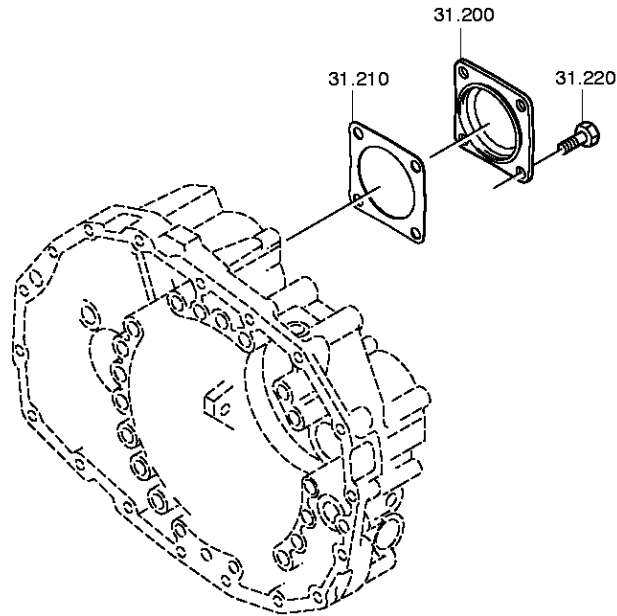
VKF Incidence factor

OTK Optional technical kit

ID Identification (output code)

SP Supplier plant







| Pos. | Material number | Name | VKF | Amend. no. | Amend. start | Prod. no. | Material feature / tech. info. | OTK | External material no. | ID | Weight | SP |
|------|-----------------|-----------------|-----|------------------|--------------|------------|--------------------------------|-----|-----------------------|----|--------|----|
| 10 | 1304.301.382 | HOUSING III | 1 | Z0000150 2414 | 12.11.2008 | 12.11.2008 | | | | 5 | 0,000 | |
| 20 | 1304.301.305 | GASKET | 1 | | 00.00.0000 | | | | | 5 | 0,000 | |
| 30 | --- | HEXAGON BOLT | 1 | | 00.00.0000 | | M10X110 | | | 3 | 0,000 | |
| --- | 0736.010.181 | HEXAGON BOLT | 1 | | 00.00.0000 | | M10X110 IN 0736 010 183(2) | | | 5 | 0,000 | |
| 34 | --- | HEXAGON BOLT | 1 | | 00.00.0000 | | M10X110 | | | 3 | 0,000 | |
| --- | 0736.010.181 | HEXAGON BOLT | 1 | | 00.00.0000 | | M10X110 IN 0736 010 183(2) | | | 5 | 0,000 | |
| 38 | --- | HEXAGON BOLT | 1 | | 00.00.0000 | | M10X70 | | | 3 | 0,000 | |
| --- | 0736.010.180 | HEXAGON BOLT | 1 | | 00.00.0000 | | M10X70 IN 0736 010 183(2) | | | 5 | 0,000 | |
| 42 | --- | HEXAGON BOLT | 1 | | 00.00.0000 | | M10X50 | | | 3 | 0,000 | |
| --- | 0736.010.179 | HEXAGON BOLT | 1 | | 00.00.0000 | | M10X50 IN 0736 010 183(2) | | | 5 | 0,000 | |
| 46 | --- | HEXAGON BOLT | 1 | | 00.00.0000 | | M10X70 | | | 3 | 0,000 | |
| --- | 0736.010.180 | HEXAGON BOLT | 1 | | 00.00.0000 | | M10X70 IN 0736 010 183(2) | | | 5 | 0,000 | |
| 50 | --- | HEXAGON BOLT | 1 | | 00.00.0000 | | M10X70 | | | 3 | 0,000 | |
| --- | 0736.010.180 | HEXAGON BOLT | 1 | | 00.00.0000 | | M10X70 IN 0736 010 183(2) | | | 5 | 0,000 | |
| 54 | --- | HEXAGON BOLT | 1 | | 00.00.0000 | | M10X110 | | | 3 | 0,000 | |
| --- | 0736.010.181 | HEXAGON BOLT | 1 | | 00.00.0000 | | M10X110 IN 0736 010 183(2) | | | 5 | 0,000 | |
| 58 | --- | HEXAGON BOLT | 1 | | 00.00.0000 | | M10X110 | | | 3 | 0,000 | |
| --- | 0736.010.181 | HEXAGON BOLT | 1 | | 00.00.0000 | | M10X110 IN 0736 010 183(2) | | | 5 | 0,000 | |
| 62 | --- | HEXAGON BOLT | 1 | | 00.00.0000 | | M10X70 | | | 3 | 0,000 | |
| --- | 0736.010.180 | HEXAGON BOLT | 1 | | 00.00.0000 | | M10X70 IN 0736 010 183(2) | | | 5 | 0,000 | |
| 66 | --- | HEXAGON BOLT | 3 | | 00.00.0000 | | M10X70 | | | 3 | 0,000 | |
| --- | 0736.010.180 | HEXAGON BOLT | 3 | | 00.00.0000 | | M10X70 IN 0736 010 183(2) | | | 5 | 0,000 | |
| 68 | --- | HEXAGON BOLT | 1 | | 00.00.0000 | | M10X70 | | | 3 | 0,000 | |
| --- | 0736.010.180 | HEXAGON BOLT | 1 | | 00.00.0000 | | M10X70 IN 0736 010 183(2) | | | 5 | 0,000 | |
| 70 | --- | HEXAGON BOLT | 3 | | 00.00.0000 | | M10X70 | | | 3 | 0,000 | |
| --- | 0736.010.180 | HEXAGON BOLT | 3 | | 00.00.0000 | | M10X70 IN 0736 010 183(2) | | | 5 | 0,000 | |
| 72 | --- | HEXAGON BOLT | 1 | | 00.00.0000 | | M10X70 | | | 3 | 0,000 | |
| --- | 0736.010.180 | HEXAGON BOLT | 1 | | 00.00.0000 | | M10X70 IN 0736 010 183(2) | | | 5 | 0,000 | |
| 74 | --- | HEXAGON BOLT | 1 | | 00.00.0000 | | M10X110 | | | 3 | 0,000 | |
| --- | 0736.010.181 | HEXAGON BOLT | 1 | | 00.00.0000 | | M10X110 IN 0736 010 183(2) | | | 5 | 0,000 | |
| 80 | 0631.306.229 | CYLINDRICAL PIN | 2 | | 00.00.0000 | | 16X36 | | | 5 | 0,000 | |
| 90 | 0750.116.404 | BALL BEARING | 1 | Z0000150 2414 | 12.11.2008 | 12.11.2008 | WTB 80,0X140,0X26,0 | | | 3 | 0,000 | |

VKF Incidence factor

OTK Optional technical kit

ID Identification (output code)

SP Supplier plant



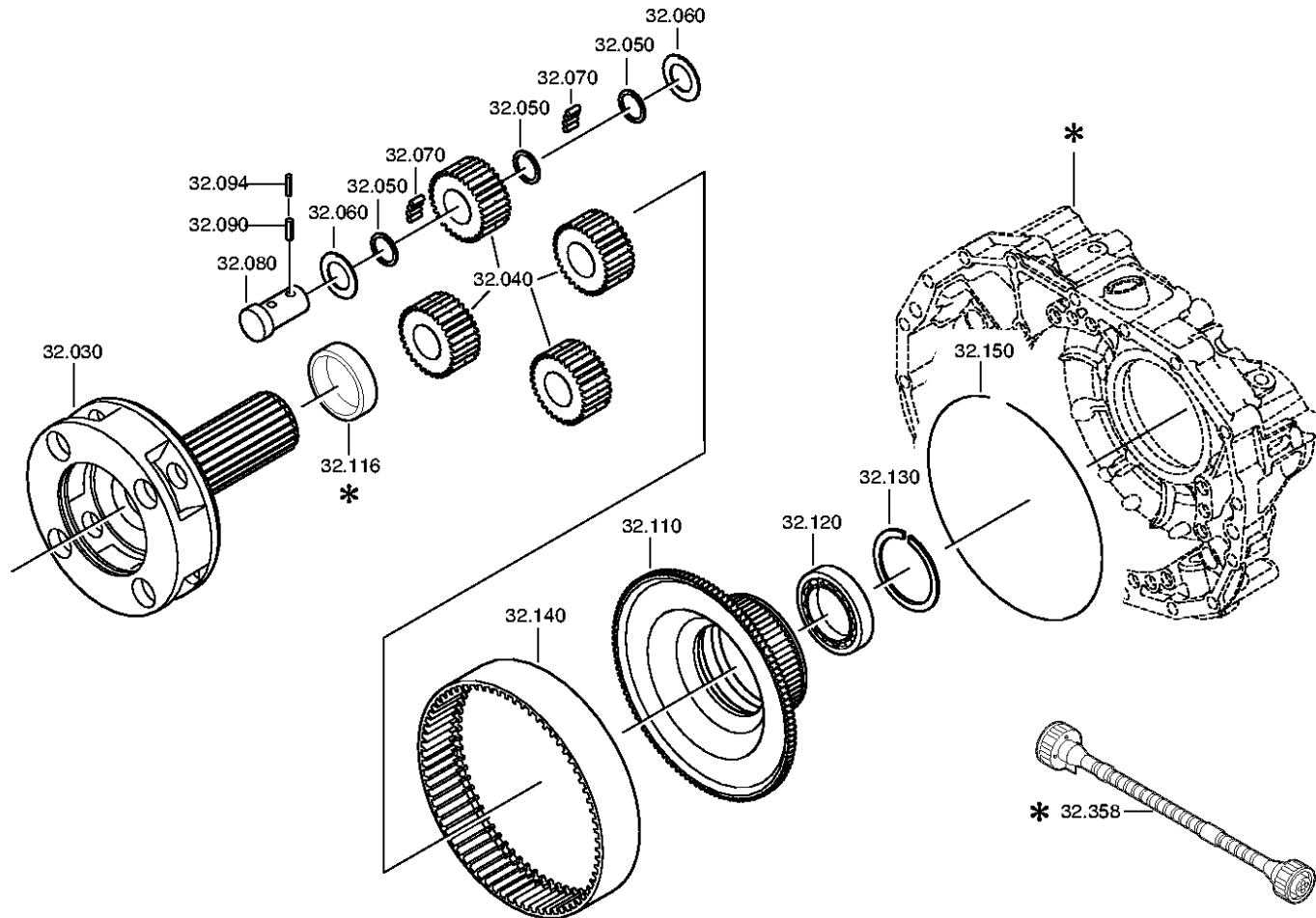
| Pos. | Material number | Name | VKF | Amend. no. | Amend. start | Prod. no. | Material feature / tech. info. | OTK | External material no. | ID | Weight | SP |
|------|-----------------|--------------|-----|------------------|--------------|------------|--------------------------------|-----|-----------------------|----|--------|----|
| 200 | 1304.301.034 | COVER | 1 | | 00.00.0000 | | | | | 5 | 0,000 | |
| 210 | 1238.308.201 | GASKET | 1 | | 00.00.0000 | | ENTHALT.IN 1238 308 202(2) | | | 5 | 0,000 | |
| 220 | --- | HEXAGON BOLT | 4 | C0100822 9E10 | 00.00.0000 | 00.00.0000 | M12X25 DIN933ALT/8.8 A3C | | | 3 | 0,000 | |
| --- | 0636.016.178 | HEXAGON BOLT | 4 | | 00.00.0000 | | M12X25 | | | 5 | 0,035 | |

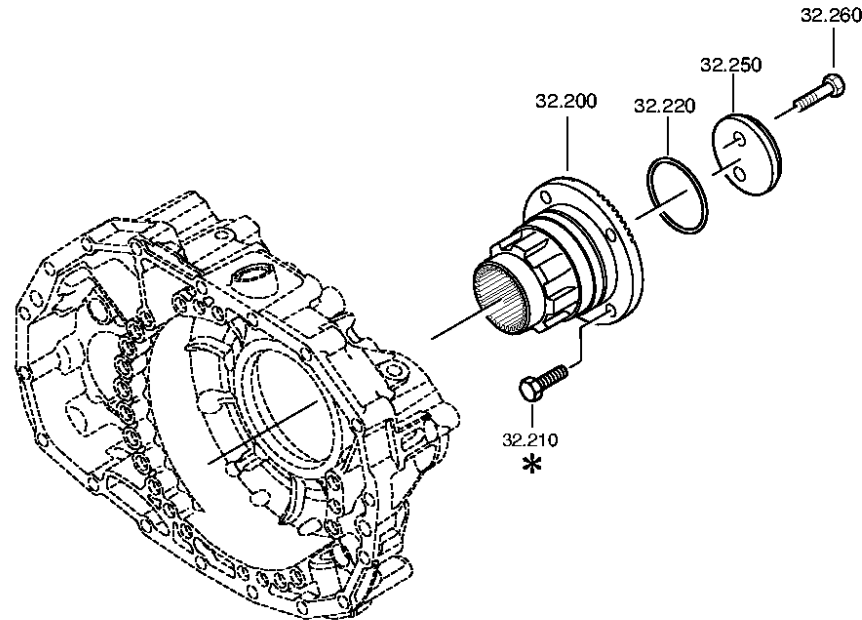
VKF Incidence factor

OTK Optional technical kit

ID Identification (output code)

SP Supplier plant







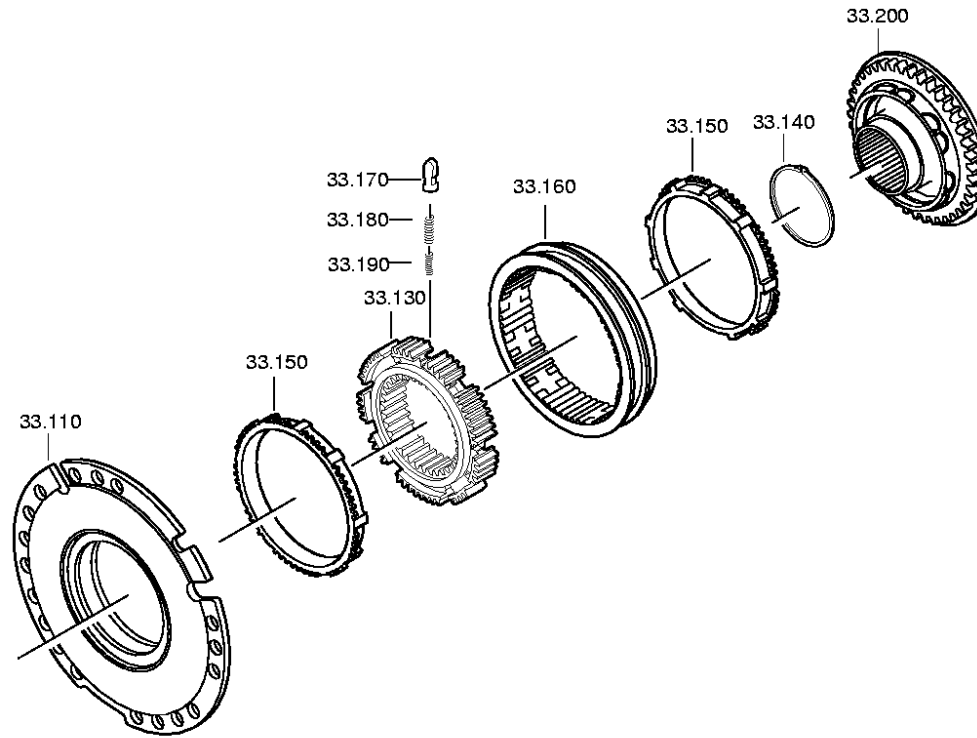
| Pos. | Material number | Name | VKF | Amend. no. | Amend. start | Prod. no. | Material feature / tech. info. | OTK | External material no. | ID | Weight | SP |
|------|-----------------|-------------------|-----|------------------|--------------|------------|---|-----|-----------------------|----|--------|----|
| 30 | 1324.232.004 | PLANET CARRIER | 1 | | 00.00.0000 | | KPL. *NEW ECOMID | | | 3 | 0,000 | |
| 40 | 1324.232.002 | PLANET GEAR SET | 1 | | 00.00.0000 | | KPL. | | | 3 | 0,000 | |
| 50 | 0730.103.102 | INTERMWASHER | 12 | | 00.00.0000 | | A=1,50 IN 0730 105 951(2) | | | 5 | 0,000 | |
| 60 | 0730.150.767 | WASHER | 8 | C0100302 3E10 | 00.00.0000 | 00.00.0000 | A=1,50 IN 0501 304 086(2) | | | 5 | 0,000 | |
| 70 | 0735.470.115 | NEEDLE ROLLER | 160 | | 00.00.0000 | | 5,0X15,3 FA.INA | | | 5 | 0,000 | |
| 80 | 1324.332.016 | PLANET SHAFT | 4 | C0100331 3F10 | 00.00.0000 | 00.00.0000 | 9 S 1310 | | | 5 | 0,000 | |
| 90 | 0631.329.049 | SLOTPIN | 4 | | 00.00.0000 | | 5X22 | | | 5 | 2 | |
| 94 | 0631.329.175 | SLOTPIN | 4 | | 00.00.0000 | | 3X22 | | | 5 | 0,000 | |
| 110 | 1324.332.007 | RING GEAR CARRIER | 1 | | 00.00.0000 | | | | | 5 | 0,000 | |
| 120 | 0735.330.804 | BALL BEARING | 1 | | 00.00.0000 | | 70,0X110,0X13,0 FA.FAG | | | 5 | 0,000 | |
| 130 | --- | SNAP RING | 1 | | 00.00.0000 | | WTB 0730 513 754(2)-A= 2,00-2,50(ABSTUFUNG:0,10MM) | | | 3 | 0,000 | |
| --- | 0730.513.755 | SNAP RING | 1 | | 00.00.0000 | | | | | 5 | 0,000 | |
| --- | 0730.513.756 | SNAP RING | 1 | | 00.00.0000 | | | | | 5 | 0,000 | |
| --- | 0730.513.757 | SNAP RING | 1 | | 00.00.0000 | | | | | 5 | 0,000 | |
| --- | 0730.513.758 | SNAP RING | 1 | | 00.00.0000 | | | | | 5 | 0,000 | |
| --- | 0730.513.759 | SNAP RING | 1 | | 00.00.0000 | | | | | 5 | 0,000 | |
| --- | 0730.513.760 | SNAP RING | 1 | | 00.00.0000 | | | | | 5 | 0,000 | |
| 140 | 1324.332.018 | RING GEAR | 1 | | 00.00.0000 | | ECOMID NEW | | | 5 | 0,000 | |
| 150 | 0730.505.053 | LOCKING WIRE | 1 | | 00.00.0000 | | A=2,50 IN 0730 505 052(2) | | | 5 | 0,000 | |
| 200 | 1304.338.097 | OUTPUT FLANGE | 1 | | 00.00.0000 | | | | | 5 | 0,000 | |
| 210 | --- | HEXAGON BOLT | 4 | | 00.00.0000 | | M14X1,5X50 * SCHUTZKAPPE | | | 3 | 0,000 | |
| --- | 0636.020.211 | HEXAGON BOLT | 4 | | 00.00.0000 | | M14X1,5X50 | | | 5 | 0,080 | |
| --- | 1315.332.067 | PROTECTING CAP | 4 | | 00.00.0000 | | | | | 5 | 0,000 | |
| 220 | 0634.313.223 | O-RING | 1 | | 00.00.0000 | | 59,2X5,7 | | | 5 | 0,000 | |
| 250 | 1304.338.045 | WASHER | 1 | | 00.00.0000 | | ENTHALT.IN 1295 332 063(2) | | | 5 | 0,000 | |
| 260 | --- | HEXAGON BOLT | 2 | | 00.00.0000 | | M12X50 DIN933ALT/8.8 A3C | | | 3 | 0,000 | |
| --- | 0636.016.180 | HEXAGON BOLT | 2 | | 00.00.0000 | | M12X50 | | | 5 | 55 | |

VKF Incidence factor

OTK Optional technical kit

ID Identification (output code)

SP Supplier plant





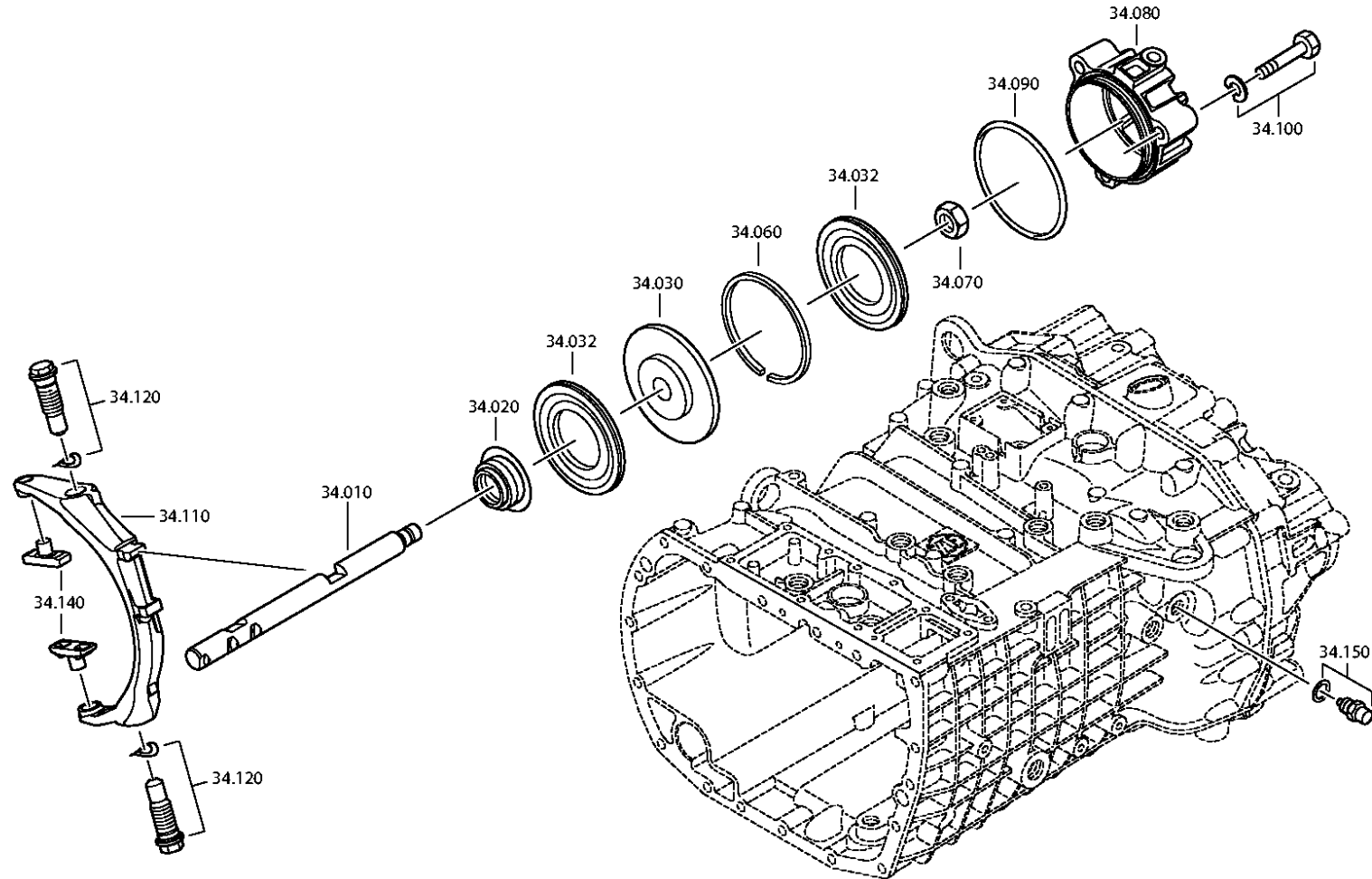
| Pos. | Material number | Name | VKF | Amend. no. | Amend. start | Prod. no. | Material feature / tech. info. | OTK | External material no. | ID | Weight | SP |
|------|-----------------|----------------|-----|------------------|--------------|------------|--|-----|-----------------------|----|--------|----|
| 110 | 1304.233.006 | CLUTCH BODY | 1 | | 00.00.0000 | | | | | 3 | 0,000 | |
| 130 | 1313.333.001 | SYNCHROBODY | 1 | | 00.00.0000 | | ENTHALT.IN 1296 333 014(1) | | | 5 | 0,000 | |
| 140 | --- | RETAINING RING | 1 | | 00.00.0000 | | WTB -A= 3,70- 4,00(ABSTUFUNG:0,10MM) | | | 3 | 0,000 | |
| --- | 0630.501.061 | RETAINING RING | 1 | | 00.00.0000 | | 125X4 | | | 5 | 0,100 | |
| --- | 0630.501.173 | RETAINING RING | 1 | | 00.00.0000 | | 125X3,9 | | | 5 | 0,000 | |
| --- | 0630.501.174 | RETAINING RING | 1 | | 00.00.0000 | | 125X3,8 | | | 5 | 0,000 | |
| --- | 0630.501.175 | RETAINING RING | 1 | | 00.00.0000 | | 125X3,7 | | | 5 | 0,000 | |
| 150 | 1296.333.045 | SYNCHRORING | 2 | | 00.00.0000 | | | | | 5 | 0,000 | |
| 160 | 1304.333.011 | SLIDING SLEEVE | 1 | | 00.00.0000 | | ENTHALT.IN 1304 333 013(0) | | | 5 | 0,000 | |
| 170 | 1240.304.278 | PRESSURE PIECE | 9 | | 00.00.0000 | | | | | 5 | 0,000 | |
| 180 | 0732.040.385 | COMPRSPRING | 9 | | 00.00.0000 | | | | | 5 | 0,000 | |
| 190 | 0732.040.386 | COMPRSPRING | 9 | C0100731 7F10 | 00.00.0000 | 00.00.0000 | | | | 5 | 0,000 | |
| 200 | 1324.233.001 | CLUTCH BODY | 1 | | 00.00.0000 | | | | | 3 | 0,000 | |

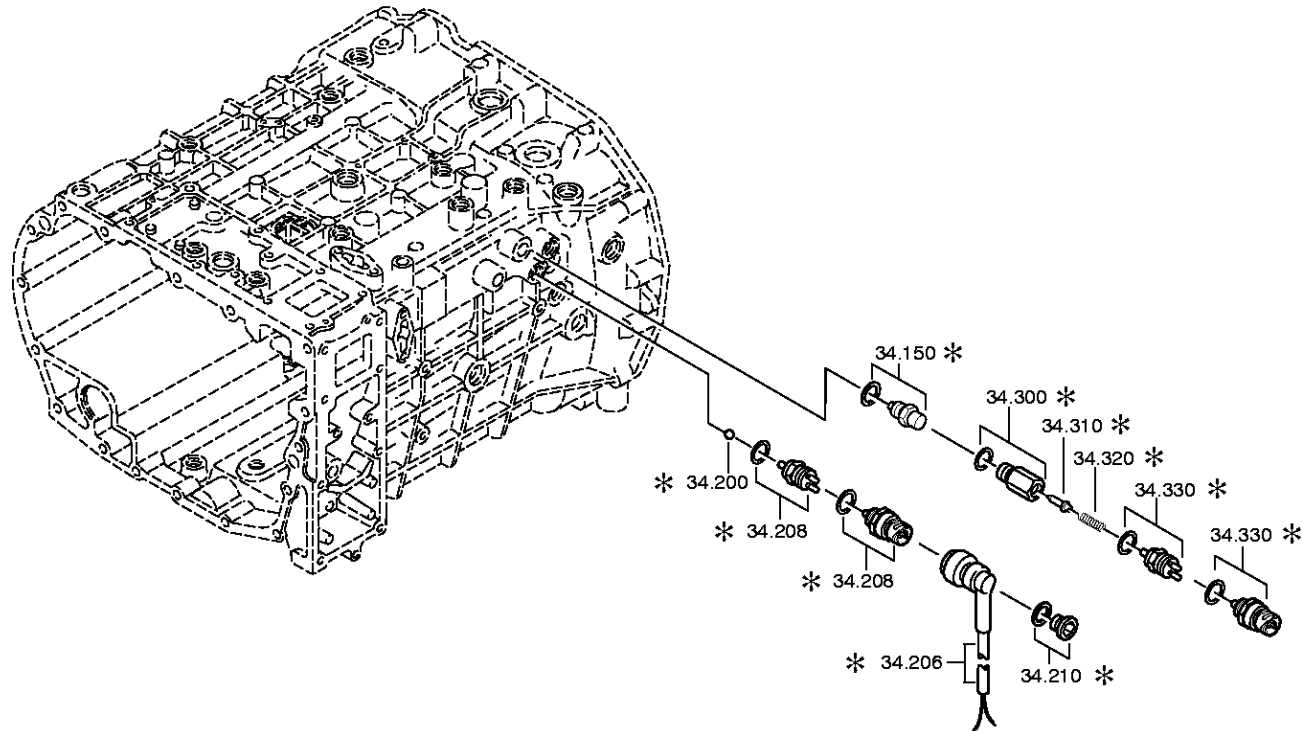
VKF Incidence factor

OTK Optional technical kit

ID Identification (output code)

SP Supplier plant







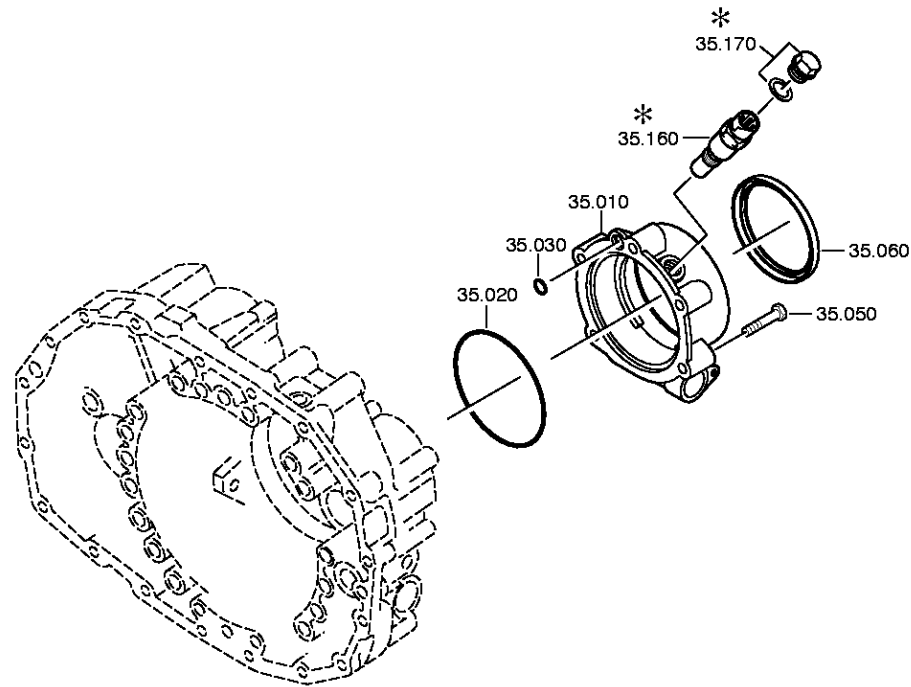
| Pos. | Material number | Name | VKF | Amend. no. | Amend. start | Prod. no. | Material feature / tech. info. | OTK | External material no. | ID | Weight | SP |
|------|-----------------|-------------------|-----|------------------|--------------|------------|-----------------------------------|-----|-----------------------|----|--------|----|
| 10 | 1324.334.004 | GEAR SHIFT RAIL | 1 | C0100468 3E10 | 00.00.0000 | 00.00.0000 | GP | | | 5 | 0,000 | |
| 20 | 0750.112.047 | FLANGE PACKING | 1 | | 00.00.0000 | | WTB 22X36X14,5 | | | 3 | 0,000 | |
| 30 | 1315.334.041 | PISTON | 1 | | 00.00.0000 | | ENTHALT.IN 1315 334 040(2) | | | 5 | 0,000 | |
| 32 | 0734.307.287 | SEALING RING | 2 | | 00.00.0000 | | 50X100X7,5 FA.KACO | | | 5 | 0,000 | |
| 60 | 0750.112.096 | GUIDE RING | 1 | | 00.00.0000 | | WTB | | | 3 | 0,000 | |
| 70 | --- | LOCKING NUT | 1 | | 00.00.0000 | | M16X1,5 ZFN99 | | | 3 | 0,000 | |
| --- | 0737.006.095 | LOCKING NUT | 1 | | 00.00.0000 | | MS16X1,5 ZFN99 | | | 5 | 0,000 | |
| 80 | 1304.334.079 | CYLINDER | 1 | | 00.00.0000 | | | | | 5 | 0,000 | |
| 90 | 0634.313.338 | O-RING | 1 | | 00.00.0000 | | 108X3 | | | 5 | 0,000 | |
| 100 | --- | HEXAGON BOLT | 3 | | 00.00.0000 | | M10X70 | | | 3 | 0,000 | |
| --- | 0736.010.180 | HEXAGON BOLT | 3 | | 00.00.0000 | | M10X70 IN 0736 010 183(2) | | | 5 | 0,000 | |
| 110 | 1304.334.063 | GEAR SHIFT FORK | 1 | | 00.00.0000 | | | | | 5 | 0,000 | |
| 120 | --- | ARTICULATION BOLT | 2 | | 00.00.0000 | | M24X1,5 SK6 | | | 3 | 0,000 | |
| --- | 1315.334.011 | ARTICULATION BOLT | 2 | | 00.00.0000 | | M24X1,5 IN 1315 334 030(2) | | | 5 | 0,000 | |
| --- | 0730.300.005 | SPRING WASHER | 2 | | 00.00.0000 | | | | | 5 | 0,000 | |
| 140 | 1272.334.003 | SLIDING PAD | 2 | | 00.00.0000 | | | | | 5 | 0,000 | |
| 150 | --- | DETENT PLUNGER | 1 | | 00.00.0000 | | 145N*50N.M | | | 3 | 0,000 | |
| --- | 1313.207.005 | DETENT PLUNGER | 1 | C0100986 0C10 | 00.00.0000 | 00.00.0000 | KPL. IN 1313 207 001(2) | | | 3 | 0,000 | |
| --- | 0730.008.604 | SEALING RING | 1 | C0100986 0C10 | 00.00.0000 | 00.00.0000 | A16X22 | | | 5 | 0,000 | |
| 200 | 0635.460.024 | BALL | 1 | | 00.00.0000 | | 13 | | | 5 | 0,000 | |
| 208 | --- | SWITCH | 1 | C0100653 0E10 | 00.00.0000 | 00.00.0000 | OEFF*45N.M*DICHTRING *BAJONETT | | | 3 | 0,000 | |
| --- | 0501.216.474 | SWITCH | 1 | | 00.00.0000 | | KPL. | | | 5 | 0,050 | |
| --- | 0634.801.062 | SEALING RING | 1 | | 00.00.0000 | | 18X24 | | | 5 | 0,001 | |

VKF Incidence factor

OTK Optional technical kit

ID Identification (output code)

SP Supplier plant





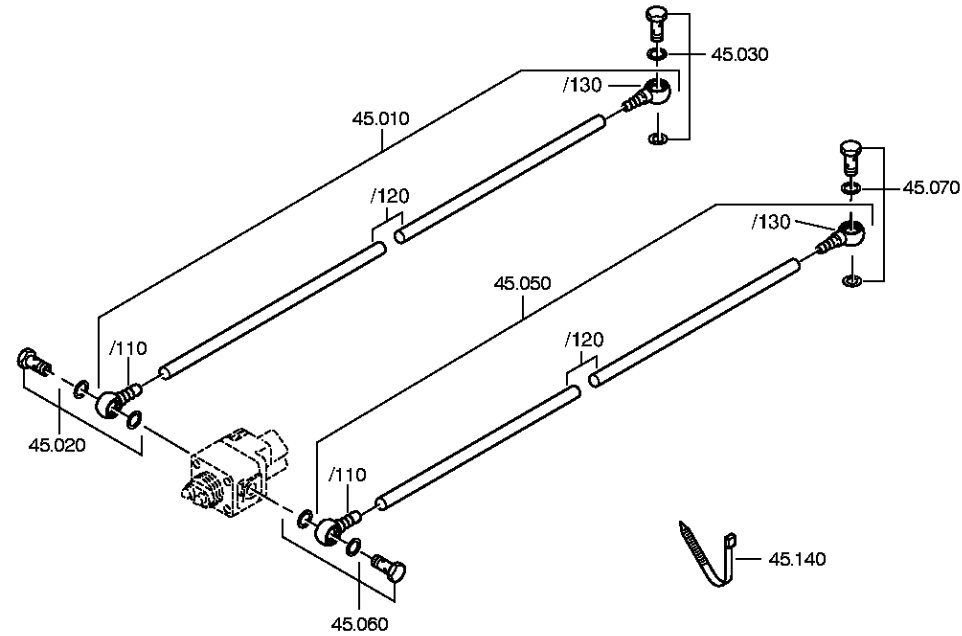
| Pos. | Material number | Name | VKF | Amend. no. | Amend. start | Prod. no. | Material feature / tech. info. | OTK | External material no. | ID | Weight | SP |
|------|-----------------|-------------------|-----|------------------|--------------|------------|---|-----|-----------------------|----|--------|----|
| 10 | 1304.301.410 | SPEEDOMETER COVER | 1 | Z0000150 2410 | 13.11.2008 | 13.11.2008 | | | | 5 | 0,000 | |
| 20 | 0634.303.110 | O-RING | 1 | | 00.00.0000 | | 138X3 | | | 5 | 3,900 | |
| 30 | 0634.316.181 | O-RING | 1 | | 00.00.0000 | | 10X3 | | | 5 | 0,000 | |
| 50 | --- | HEXAGON BOLT | 5 | C0100808 3B10 | 00.00.0000 | 00.00.0000 | M10X60Z1 DIN933A/10. 9A3CSM | | | 3 | 0,000 | |
| --- | 0636.015.601 | HEXAGON BOLT | 5 | | 00.00.0000 | | M10X60 | | | 5 | 0,000 | |
| 60 | 0734.319.459 | SHAFT SEAL | 1 | | 00.00.0000 | | 105X125X12/9,5 FA.CFW | | | 5 | 0,000 | |
| 160 | --- | PULSE SENSOR | 1 | | 00.00.0000 | | L= 19,8* 45N.M*O. DICHTRING*BAJONETT | | | 3 | 0,000 | |
| --- | 0501.210.855 | PULSE SENSOR | 1 | | 00.00.0000 | | KPL. IN 0501 210 854(3) | | | 5 | 0,090 | |

VKF Incidence factor

OTK Optional technical kit

ID Identification (output code)

SP Supplier plant





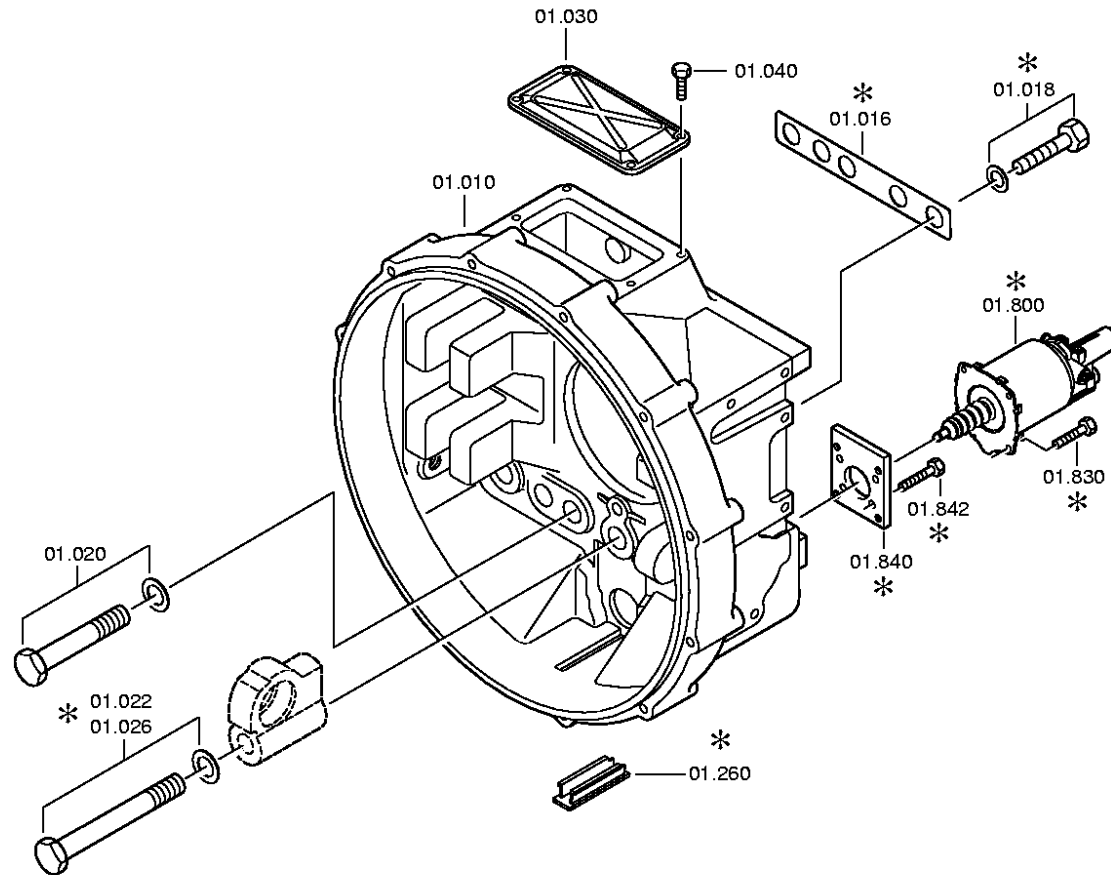
| Pos. | Material number | Name | VKF | Amend. no. | Amend. start | Prod. no. | Material feature / tech. info. | OTK | External material no. | ID | Weight | SP |
|------|-----------------|--------------|-----|------------------|--------------|------------|--------------------------------|-----|-----------------------|----|--------|----|
| 10 | 6007.202.079 | PIPE | 1 | | 00.00.0000 | | KPL.500,00MM | | | 3 | 0,000 | |
| /110 | 0750.146.001 | RING PIECE | 1 | | 00.00.0000 | | WTB | | | 3 | 0,000 | |
| /120 | 0632.702.904 | PIPE | 500 | C0100872 2A10 | 00.00.0000 | 00.00.0000 | 12X2 | | | 5 | 0,000 | |
| /130 | 0750.146.001 | RING PIECE | 1 | | 00.00.0000 | | WTB | | | 3 | 0,000 | |
| 20 | --- | UNION SCREW | 1 | C0100394 6B10 | 00.00.0000 | 00.00.0000 | M14X26*MIT DICHRING | | | 3 | 0,000 | |
| --- | 0737.835.238 | UNION SCREW | 1 | | 00.00.0000 | | | | | 5 | 0,000 | |
| --- | 0730.008.057 | SEALING RING | 1 | | 00.00.0000 | | A=1,50 IN 0730 008 054(2) | | | 5 | 0,000 | |
| 30 | --- | UNION SCREW | 1 | C0100394 6B10 | 00.00.0000 | 00.00.0000 | M14X26*MIT DICHRING | | | 3 | 0,000 | |
| --- | 0737.835.238 | UNION SCREW | 1 | | 00.00.0000 | | | | | 5 | 0,000 | |
| --- | 0730.008.057 | SEALING RING | 1 | | 00.00.0000 | | A=1,50 IN 0730 008 054(2) | | | 5 | 0,000 | |
| 50 | 6007.202.079 | PIPE | 1 | | 00.00.0000 | | KPL.500,00MM | | | 3 | 0,000 | |
| /110 | 0750.146.001 | RING PIECE | 1 | | 00.00.0000 | | WTB | | | 3 | 0,000 | |
| /120 | 0632.702.904 | PIPE | 500 | C0100872 2A10 | 00.00.0000 | 00.00.0000 | 12X2 | | | 5 | 0,000 | |
| /130 | 0750.146.001 | RING PIECE | 1 | | 00.00.0000 | | WTB | | | 3 | 0,000 | |
| 60 | --- | UNION SCREW | 1 | C0100394 6B10 | 00.00.0000 | 00.00.0000 | M14X26*MIT DICHRING | | | 3 | 0,000 | |
| --- | 0737.835.238 | UNION SCREW | 1 | | 00.00.0000 | | | | | 5 | 0,000 | |
| --- | 0730.008.057 | SEALING RING | 1 | | 00.00.0000 | | A=1,50 IN 0730 008 054(2) | | | 5 | 0,000 | |
| 70 | --- | UNION SCREW | 1 | C0100394 6B10 | 00.00.0000 | 00.00.0000 | M14X26*MIT DICHRING | | | 3 | 0,000 | |
| --- | 0737.835.238 | UNION SCREW | 1 | | 00.00.0000 | | | | | 5 | 0,000 | |
| --- | 0730.008.057 | SEALING RING | 1 | | 00.00.0000 | | A=1,50 IN 0730 008 054(2) | | | 5 | 0,000 | |
| 140 | 0659.160.068 | CABLE CLIP | 2 | | 00.00.0000 | | | | | 5 | 0,000 | |

VKF Incidence factor

OTK Optional technical kit

ID Identification (output code)

SP Supplier plant





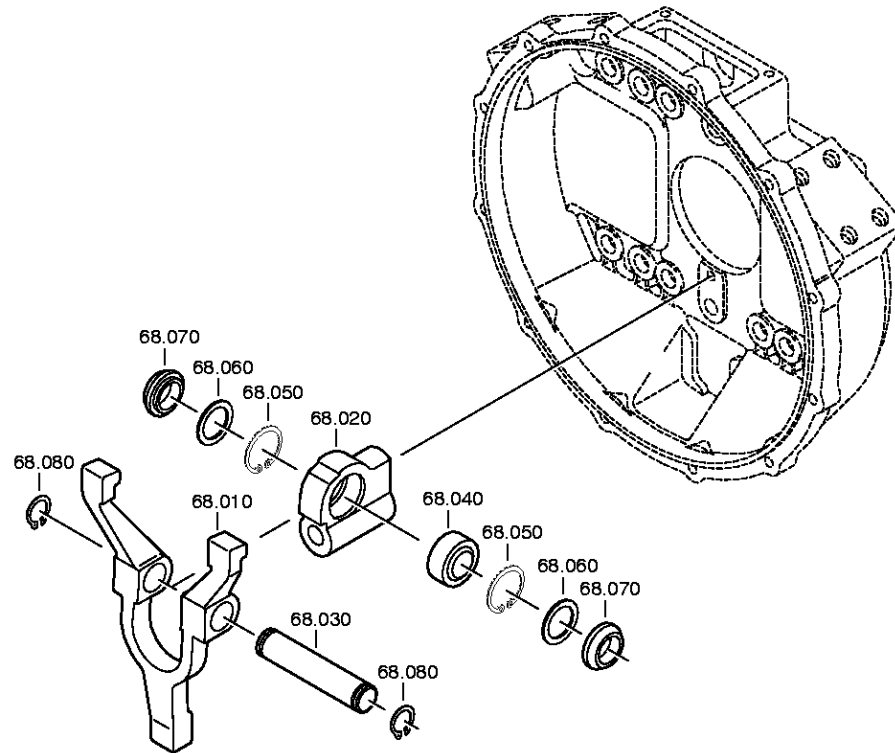
| Pos. | Material number | Name | VKF | Amend. no. | Amend. start | Prod. no. | Material feature / tech. info. | OTK | External material no. | ID | Weight | SP |
|------|-----------------|-----------------|-----|------------------|--------------|------------|---|-----|-----------------------|----|--------|----|
| 10 | 6060.201.249 | BELL HOUSING | 1 | C0100489 6A10 | 00.00.0000 | 00.00.0000 | KPL. IN 6060 201 248(1) | | | 3 | 0,000 | |
| 18 | --- | HEXAGON BOLT | 1 | | 00.00.0000 | | WTB* M12X50 *ZF KAMA | | | 3 | 0,000 | |
| 20 | --- | HEXAGON BOLT | 9 | C0100036 9B10 | 00.00.0000 | 00.00.0000 | M18X1,5X85 ISO8765/8.8 A3C | | | 3 | 0,000 | |
| --- | 0636.020.403 | HEXAGON BOLT | 9 | | 00.00.0000 | | M18X1,5X85 | | | 5 | 0,000 | |
| --- | 0630.001.021 | WASHER | 9 | | 00.00.0000 | | | | | 5 | 0,000 | |
| 22 | --- | HEXAGON BOLT | 1 | C0100930 0A10 | 00.00.0000 | 00.00.0000 | M18X1,5X160 ISO8765/8.8A3C | | | 3 | 0,000 | |
| --- | 0636.020.406 | HEXAGON BOLT | 1 | | 00.00.0000 | | M18X1,5X160 | | | 5 | 0,000 | |
| --- | 0630.001.021 | WASHER | 1 | | 00.00.0000 | | | | | 5 | 0,000 | |
| 30 | 0501.317.373 | COVER | 1 | C0100308 8A10 | 00.00.0000 | 00.00.0000 | | | | 5 | 0,000 | |
| 40 | 0636.015.388 | HEXAGON BOLT | 4 | | 00.00.0000 | | M8X12 | | | 5 | 0,000 | |
| 212 | --- | PLUG | 4 | | 00.00.0000 | | GPN 300*F 19*D=20,7 | | | 3 | 0,000 | |
| --- | 0637.510.568 | PLUG | 4 | | 00.00.0000 | | | | | 5 | 0,000 | |
| --- | --- | ADHESIVE | 4 | | 00.00.0000 | | WTB *LOCTITE NR.325 / LOCTITE NR.326 | | | 3 | 0,000 | |
| 800 | 0501.006.795 | CLUTCH CYLINDER | 1 | C0100737 9A10 | 00.00.0000 | 00.00.0000 | | | | 5 | 0,000 | |
| 830 | 0636.015.406 | HEXAGON BOLT | 4 | | 00.00.0000 | | M8X14 | | | 5 | 0,000 | |
| 840 | 6060.201.221 | INTERMPLATE | 1 | | 00.00.0000 | | | | | 3 | 0,000 | |
| 842 | 0636.015.299 | HEXAGON BOLT | 4 | | 00.00.0000 | | M8X20 | | | 5 | 0,010 | |

VKF Incidence factor

OTK Optional technical kit

ID Identification (output code)

SP Supplier plant





| Pos. | Material number | Name | VKF | Amend. no. | Amend. start | Prod. no. | Material feature / tech. info. | OTK | External material no. | ID | Weight | SP |
|------|-----------------|----------------|-----|------------------|--------------|------------|--------------------------------|-----|-----------------------|----|--------|----|
| 10 | 6060.206.006 | RELEASE FORK | 1 | | 00.00.0000 | | KPL. | | | 3 | 0,000 | |
| 20 | 6060.306.096 | BRACKET | 1 | C0100831 0A10 | 00.00.0000 | 00.00.0000 | | | | 5 | 0,000 | |
| 30 | 6060.306.086 | PIN | 1 | | 00.00.0000 | | ENTHALT.IN 0731 201 607(2) | | | 5 | 0,000 | |
| 40 | 0635.285.060 | JOINT BEARING | 1 | C0100951 0B10 | 00.00.0000 | 00.00.0000 | | | | 5 | 0,000 | |
| 50 | 0630.502.023 | RETAINING RING | 2 | | 00.00.0000 | | 42X1,75 | | | 5 | 0,010 | |
| 60 | 0501.315.198 | SEALING RING | 2 | | 00.00.0000 | | | | | 5 | 0,000 | |
| 70 | 6060.306.087 | SEALING WASHER | 2 | | 00.00.0000 | | | | | 5 | 0,000 | |
| 80 | 0630.501.020 | RETAINING RING | 2 | | 00.00.0000 | | 25X1,2 | | | 5 | 1,800 | |

VKF Incidence factor

OTK Optional technical kit

ID Identification (output code)

SP Supplier plant